

BELA TAPE RGBW Indoor · RGBW

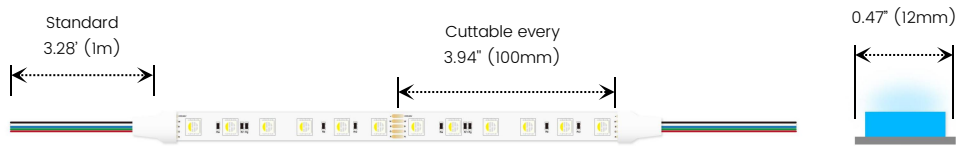
Features

- Max run length up to 16.4ft (5m) from single power feed
- Field cuttable & joinable
- Low voltage DC24V
- 200 lumen outputs
- IP20 rated, ideal for indoor uses
- 5 years warranty



Date	Fixture type
Project name	Project phase

Dimension



Order Code

Series	Environment	Voltage	Temp./Color	Power
BELA	D2	Dry (IP20)	24 DC24V	RGBW30 RGBW (W=3000K) 439 4.39W/ft -200 lm/ft

Assembly Builder

Left Feed Entry				Right Feed Entry				Illuminated Length ¹		
F	Front	OW	Open wire 3.28'	F	Front	OW	Open wire 3.28'	Max.	16.4'	-4.39W
C	Closed	MC	Male connector with 0.98' cable	C	Closed	MC	Male connector with 0.98' cable	Increment	3.94"	
		FC	Female connector with 0.98' cable			FC	Female connector with 0.98' cable			
		NA	Only for Closed Feed Entry			NA	Only for Closed Feed Entry			

Temp./Color	4.39W/ft
R	30
G	75
B	21
W30	69
RGBW30	186
Max. Run for Class 2 Low Voltage (ft)	13.1
Max. Run Length (ft)	16.4
Storage Temperature	-13-140°F
Ambient Temperature	-4-113°F

Technical Details

Width	0.47" (12mm)
PCB Width	0.47" (12mm)
LED Quantity	18 LEDs/ft (60 LEDs/M)
Beam Angle	120°
Efficacy	42.4lm/W @RGBW30 4.39W
CRI	Ra ≥ 90
LED MacAdam	3 steps
Life (L70)	> 30,000 hours
Max. Length Per Reel	164' (50M)

Feed Entry Options




Connector Wire Options



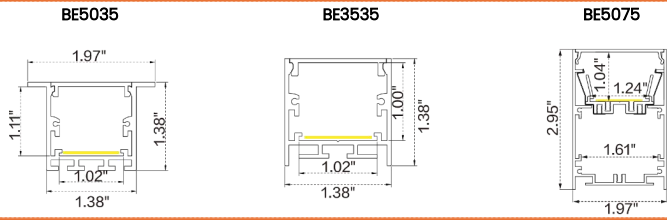
- OW:** Open wire, **Dry only**
Standard 3.28' (1m), 20 AWG (wire length customizable)
- MC:** Male connector, **Wet**
Standard 0.98' (30cm), 20 AWG
- FC:** Female connector, **Wet**
Standard 0.98' (30cm), 20 AWG

BELA TAPE RGBW Indoor · RGBW

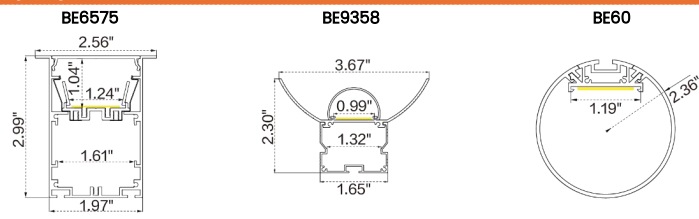
Channel Compatibility

: No pixelation

Architectural

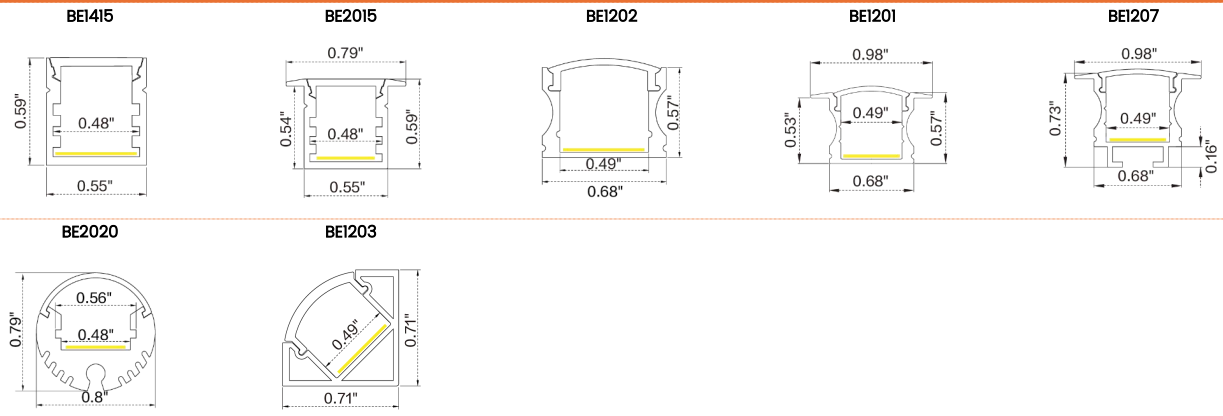


Main lighting

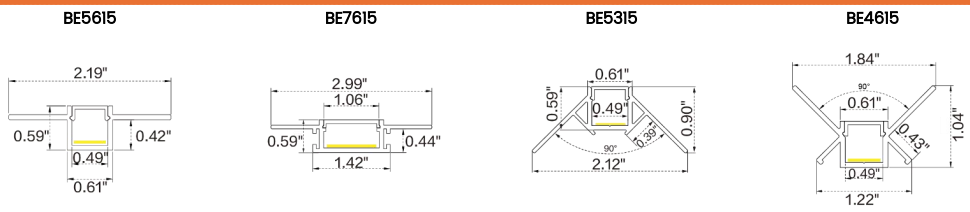


: Slight pixelation

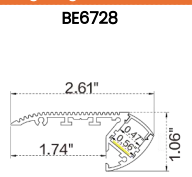
Universal



Architectural



Special lighting



BELA TAPE RGBW Indoor · RGBW

Drivers

Non-dimmable

Code	Max Load	Input	Output	Dimmable	Class 2	Environment	Size (L *W *H)
KV-24030-ASW	30W	100-277VAC	24V	No	Yes	Dry/Damp	6.10" *2.12" *0.78"
KV-24060-ASW	60W	100-277VAC	24V	No	Yes	Dry/Damp	7.00" *2.40" *0.94"
KV-24096-ASW	96W	100-277VAC	24V	No	Yes	Dry/Damp/Wet	9.05" *2.75" *1.69"
KV-24150-ASW	150W	100-277VAC	24V	No	No	Dry/Damp/Wet	10.07" *3.07" *1.85"
KV-24200-ASW	200W	100-277VAC	24V	No	No	Dry/Damp/Wet	10.07" *3.07" *1.85"
KV-24300-ASW	300W	100-277VAC	24V	No	No	Dry/Damp/Wet	10.86" *3.07" *1.85"

DMX512-dimmable

Code	Max Load	Input	Output	Dimmable	Class 2	Environment	Size (L *W *H)
KVX-24096-4C-A	96W	100-277VAC	24V	Yes	Yes	Dry/Damp/Wet	9.05" *3.07" *0.98"
KVX-24150-4C-A	150W	100-277VAC	24V	Yes	No	Dry/Damp/Wet	10.90" *3.07" *0.98"
KVX-24200-4C-A	200W	100-277VAC	24V	Yes	No	Dry/Damp/Wet	10.90" *3.07" *0.98"
KVX-24300-4C-A	300W	100-277VAC	24V	Yes	No	Dry/Damp/Wet	11.85" *3.07" *0.98"

DMX Decoders

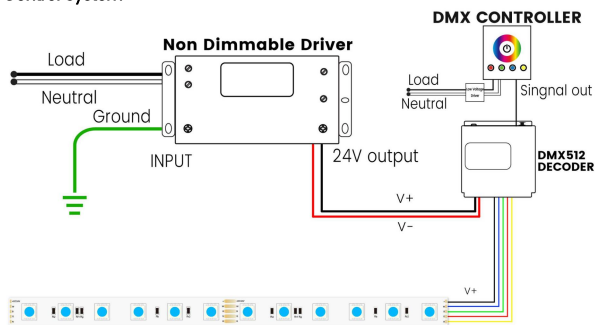
Code	Description
LT-904	4 channels output, up to 576W output power
LT-916	16 channels output, up to 1152W output power
LT-932	32 channels output, up to 1728W output power

Controllers

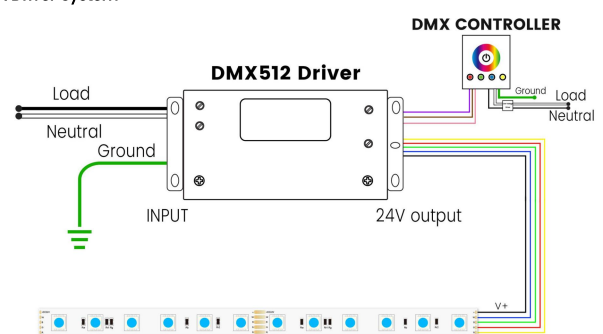
Code	Description
DINA-DR micro	DMX 60 channels, DMX Stand Alone controller with 10 scenes, USB connectivity for programming
SLESA-U9	DMX 256 channels, USB connection, standalone mode with 1 area and 20 scenes
STICK-GA2	DMX 512 channels, ready to use (pre-loaded with 8 scenes and 170 RGB fixtures)
STICK-CW4	DMX 1024 channels, up to 36 scenes stored and directly recalled via 6 touch sensitive buttons

Wiring Diagram

DMX Control System



DMX Driver System



BELA TAPE RGBW Indoor · RGBW

Connectors (Optional, purchase for extra)



C6012-STCN-5P-12
Strip to cable connector without wire, for 0.47" (12mm) tape, 5 pin



C6012-STC-5P-12
Strip to cable connector with 5.91" (15cm) wire, for 0.47" (12mm) tape, 5 pin



C6012-STSJ-5P-12
Strip to strip jumper connector with 5.91" (15cm) wire, for 0.47" (12mm) tape, 5 pin



C6012-STMKB-5P-12
Strip to cable with black male & female connector, for 0.47" (12mm) tape, 5 pin



C6012-LC-5P-12
L-shaped corner connector, for 0.47" (12mm) tape, 5 pin



C6012-RC-5P-12
R-shaped corner connector, for 0.47" (12mm) tape, 5 pin



C6012-STS-5P-12
Strip to strip connector, for 0.47" (12mm) tape, 5 pin

Additional Accessories (Optional, purchase for extra)



MCW-5P-67
Male connector with 0.98' (30cm) white cable, 5 pin, IP67, Wet, 20 AWG



FCW-5P-67
Female connector with 0.98' (30cm) white cable, 5 pin, IP67, Wet, 20 AWG



VHB
VHB 3M adhesive back tape, stronger stickiness