

NOVA TAPE RGBWW Indoor · RGBWW

Features

- Max run length up to 16.4ft (5m) from single power feed
- Field cuttable
- Low voltage DC24V
- 200 lumen outputs
- IP20 rated, ideal for uses
- 5 years warranty

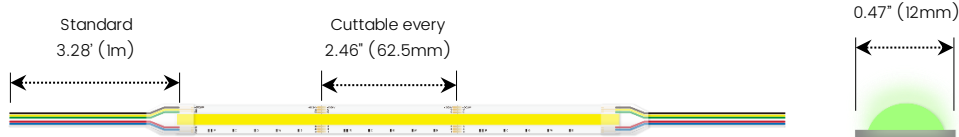


Date _____ Fixture type _____

Project name _____ Project phase _____



Dimension



Order Code

Series	Environment	Voltage	Temp./Color	Power
NOVA	D2 Dry (IP20)	24 DC24V	RGBWW2765 RGBWW (WW=2700K+6500K)	488 4.88W/ft -200 lm/ft

Assembly Builder

Left Feed Entry				Right Feed Entry				Illuminated Length ¹		
F	Front	OW	Open wire 3.28'	F	Front	OW	Open wire 3.28'	Max.	16.4'	-4.88W
C	Closed	MC	Male connector with 0.98' cable	C	Closed	MC	Male connector with 0.98' cable	Increment	2.46'	
		FC	Female connector with 0.98' cable			FC	Female connector with 0.98' cable			
		NA	Only for Closed Feed Entry			NA	Only for Closed Feed Entry			

Temp./Color	4.88W/ft
R	29
G	79
B	24
W27	67
W65	72
RGBWW2765	271
Max. Run for Class 2 Low Voltage (ft)	15.7
Max. Run Length (ft)	16.4
Storage Temperature	-13-140°F
Ambient Temperature	-4-113°F

Technical Details

Width	0.47" (12mm)
PCB Width	0.47" (12mm)
LED Quantity	170 LEDs/ft (560 LEDs/M)
Beam Angle	180°
Efficacy	55.5lm/W @RGBWW2765 4.88W
CRI	Ra ≥ 90
Life (L70)	> 30,000 hours
Max. Length Per Reel	98.4' (30M)

Feed Entry Options

F: Front



C: Closed



Connector Wire Options



OW: Open wire, **Dry only**
Standard 3.28' (1m), 20 AWG
(wire length customizable)




MC: Male connector, **Wet**,
Standard 0.98' (30cm), 20 AWG



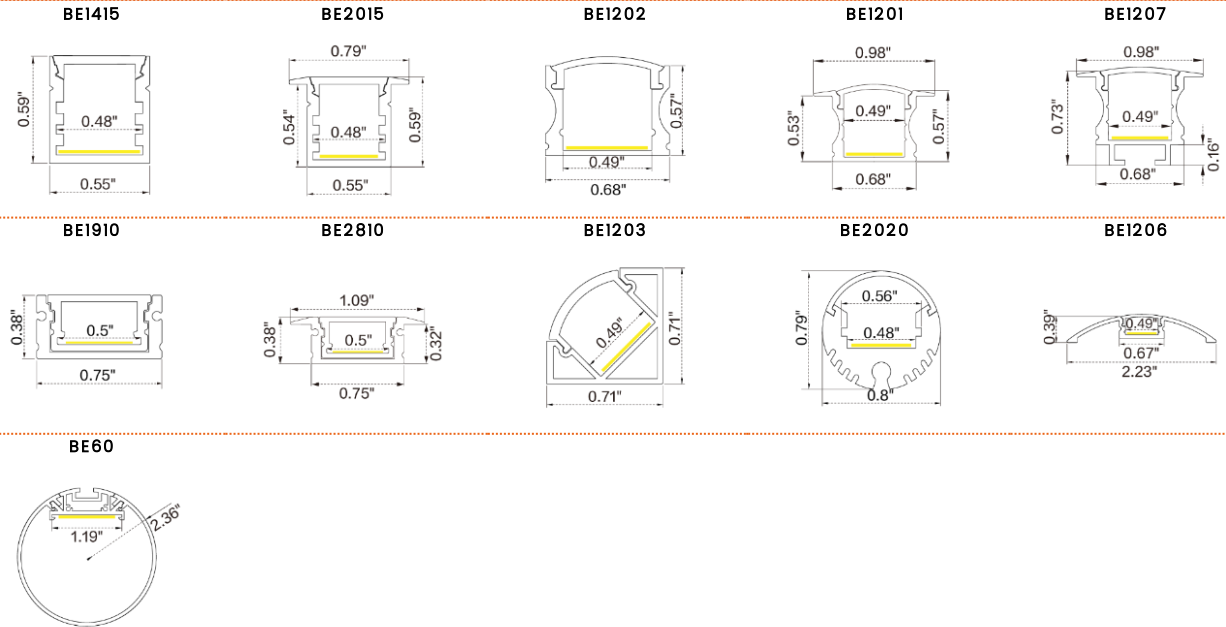
FC: Female connector, **Wet**,
Standard 0.98' (30cm), 20 AWG

NOVA TAPE RGBWW Indoor · RGBWW

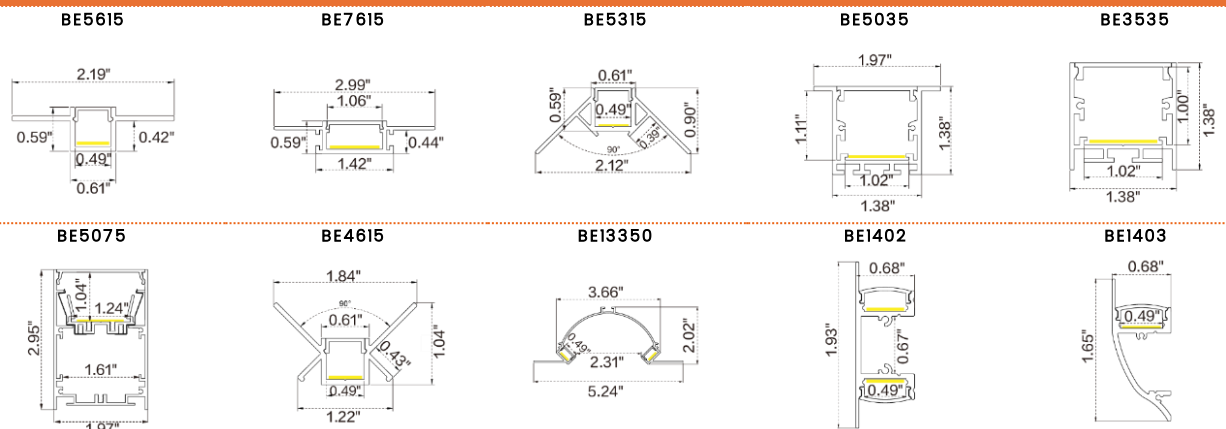
Channel Compatibility

: No pixelation

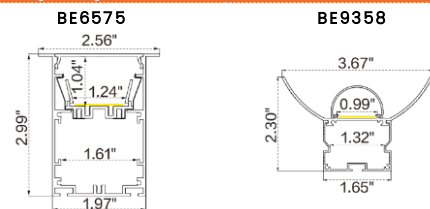
Universal



Architectural



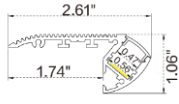
Main lighting



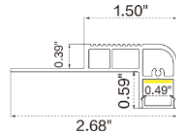
NOVA TAPE RGBWW Indoor · RGBWW

Special lighting

BE6728



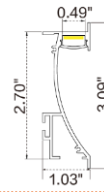
BE6826



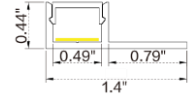
BE12017



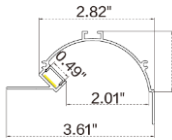
BE6916



BE3511



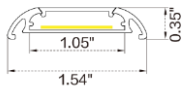
BE9151



: Slight pixelation

Universal

BE2601



NOVA TAPE RGBWW Indoor · RGBWW

Drivers

Non-dimmable

Code	Max Load	Input	Output	Dimmable	Class 2	Environment	Size (L *W *H)
KV-24030-ASW	30W	100-277VAC	24V	No	Yes	Dry/Damp	6.10" *2.12" *0.78"
KV-24060-ASW	60W	100-277VAC	24V	No	Yes	Dry/Damp	7.00" *2.40" *0.94"
KV-24096-ASW	96W	100-277VAC	24V	No	Yes	Dry/Damp/Wet	9.05" *2.75" *1.69"
KV-24150-ASW	150W	100-277VAC	24V	No	No	Dry/Damp/Wet	10.07" *3.07" *1.85"
KV-24200-ASW	200W	100-277VAC	24V	No	No	Dry/Damp/Wet	10.07" *3.07" *1.85"
KV-24300-ASW	300W	100-277VAC	24V	No	No	Dry/Damp/Wet	10.86" *3.07" *1.85"

DMX512-dimmable

Code	Max Load	Input	Output	Dimmable	Class 2	Environment	Size (L *W *H)
KVX-24096-5C-A	96W	100-277VAC	24V	Yes	Yes	Dry/Damp/Wet	9.05" *3.07" *0.98"
KVX-24150-5C-A	150W	100-277VAC	24V	Yes	No	Dry/Damp/Wet	10.90" *3.07" *0.98"
KVX-24200-5C-A	200W	100-277VAC	24V	Yes	No	Dry/Damp/Wet	10.90" *3.07" *0.98"
KVX-24300-5C-A	300W	100-277VAC	24V	Yes	No	Dry/Damp/Wet	11.85" *3.07" *0.98"

DMX Decoders

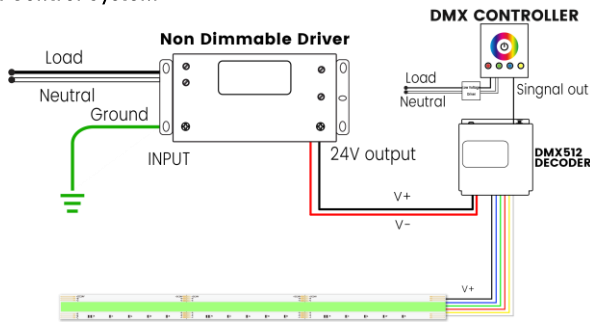
Code	Description
LT-905	5 channels output, up to 600W output power

Controllers

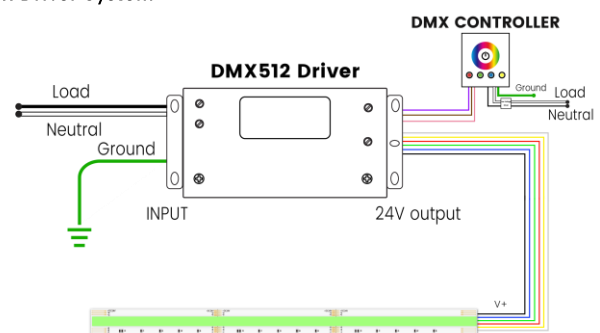
Code	Description
DINA-DR micro	DMX 60 channels, DMX Stand Alone controller with 10 scenes, USB connectivity for programming
SLESA-U9	DMX 256 channels, USB connection, standalone mode with 1 area and 20 scenes
STICK-GA2	DMX 512 channels, ready to use (pre-loaded with 8 scenes and 170 RGB fixtures)
STICK-CW4	DMX 1024 channels, up to 36 scenes stored and directly recalled via 6 touch sensitive buttons

Wiring Diagram

DMX Control System



DMX Driver System



Additional Accessories (Optional, purchase for extra)



MCB-6P-67

Male connector with 0.98' (30cm)

FCB-6P-67

Female connector with 0.98' (30cm)

VHB

3M adhesive back tape, stronger stickiness