

LINIO NEON 1615 TV RGBW Outdoor · Vertical Bending · RGBW

Features

- Max run length up to 32.8ft (10m) from single power feed
- Field cuttable & joinable
- Low voltage DC24V
- 100 lumen outputs
- IP67 rated, ideal for indoor and outdoor uses
- 5 years warranty

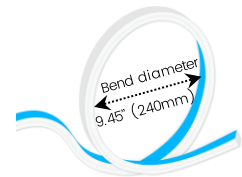
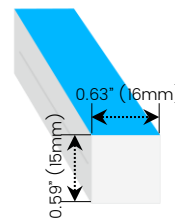


Date _____ Fixture type _____

Project name _____ Project phase _____



Dimension



Order Code

Series	Environment	Voltage	Temp./Color	Power
LN1615TV	W7 Wet (IP67)	24 DC24V	RGBW27 RGBW (W=2700K) RGBW30 RGBW (W=3000K) RGBW35 RGBW (W=3500K) RGBW40 RGBW (W=4000K) RGBW53 RGBW (W=5300K)	457 4.57W/ft -100 lm/ft

Assembly Builder

End Cap ¹		Left Feed Entry		Right Feed Entry		Illuminated Length ²
IJ	Injected (IP67)	F Front	OW Open wire 3.28'	F Front	OW Open wire 3.28'	Max. 32.8' -4.57W
IJC	Clear injected (IP67)	B Bottom	MC Male connector with 0.98' cable	B Bottom	MC Male connector with 0.98' cable	Increment 4.92'
SEC	Silicone (IP67)	S Side	FC Female connector with 0.98' cable	S Side	FC Female connector with 0.98' cable	
MEC1	Mechanical with screws (IP67)	C Closed	NA Only for Closed Feed Entry	C Closed	NA Only for Closed Feed Entry	
MEC3	Mechanical without screws (IP67)					

1. Injected and clear injected end cap are factory-made only.

2. Production length = Illuminated length + End cap extension length (refer to below page for extension length of each end cap)

Temp./Color	4.57W/ft
■ R	17
■ G	44
■ B	12
■ W27	50
■ W30	56
■ W35	55
■ W40	62
■ W53	61
■ RGBW27	122
■ RGBW30	124
■ RGBW35	122
■ RGBW40	128
■ RGBW53	96
Max. Run for Class 2 Low Voltage (ft)	16.8
Max. Run for Mechanical end cap (ft)	15.7
Max. Run Length (ft)	32.8
Storage Temperature	-13-140°F
Ambient Temperature	-13-113°F

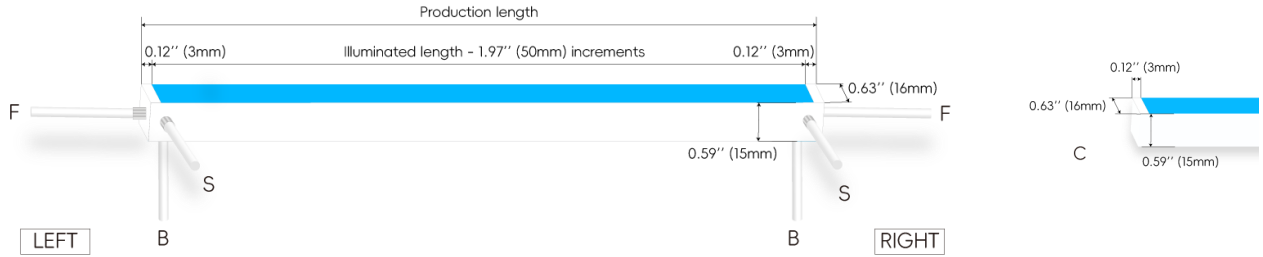
Technical Details

Efficacy	27.1lm/W @RGBW30 4.57W
CRI	Ra ≥ 80
Beam Angle	120°
Life (L70)	> 30,000 hours
Max. Length Per Reel	98.4 (30M)
Finish	Matte

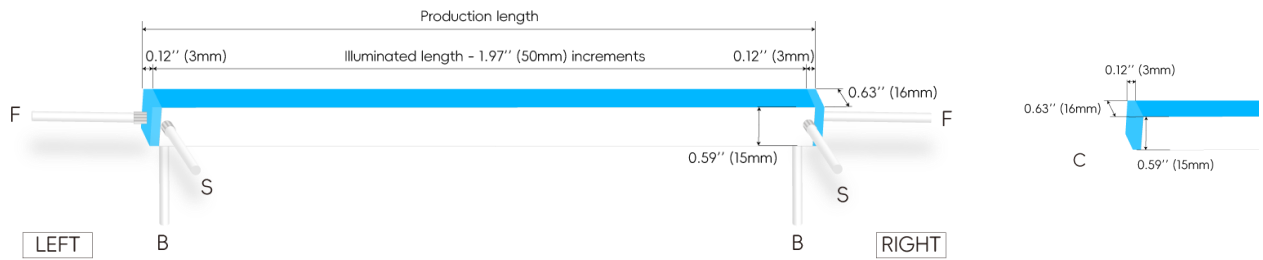
LINIO NEON 1615 TV RGBW Outdoor · Vertical Bending · RGBW

Feed Entry / End Cap Options

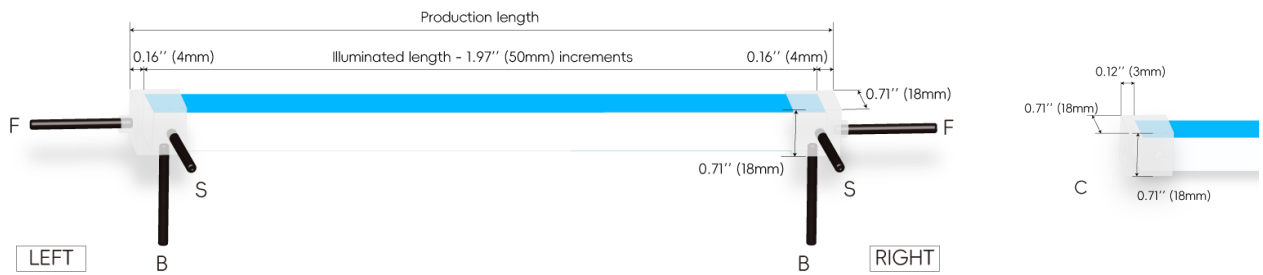
IJ: Injected end cap – IP67, factory-made only



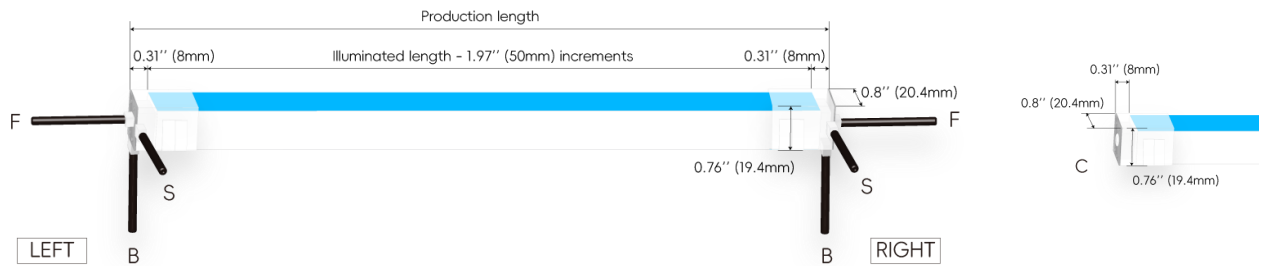
IJC: Clear injected end cap – IP67, factory-made only



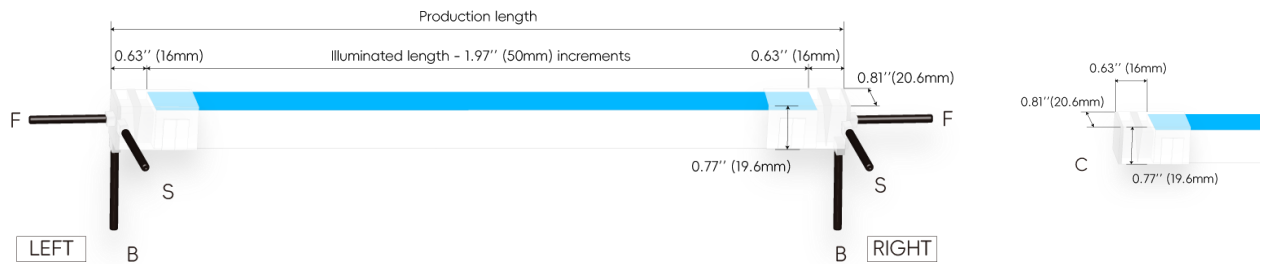
SEC: Silicone end cap – IP67



MEC1: Mechanical end cap with screws – IP67



MEC3: Mechanical end cap without screws – IP67



LINIO NEON 1615 TV RGBW Outdoor · Vertical Bending · RGBW

Connector Wire Options



OW: Open wire, **Dry only**
Standard 3.28' (1m), 20 AWG (wire length customizable)

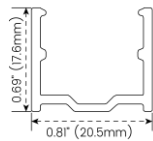


MC: Male connector, **Wet**
Standard 0.98' (30cm), 20 AWG



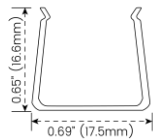
FC: Female connector, **Wet**
Standard 0.98' (30cm), 20 AWG

Mounting Options



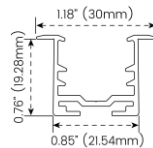
LN1615-SC

Name: Straight surface channel
Material: Aluminum
Standard Length: 3.28' (1M)



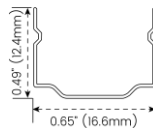
LN1615-BC

Name: Bendable surface channel
Material: Aluminum
Standard Length: 3.28' (1M)



LN1615-RC

Name: Straight recessed channel
Material: Aluminum
Standard Length: 3.28' (1M)



LN1615-CL

Name: Mounting clip
Material: Stainless Steel
Standard Length: 0.79' (20MM)

LINIO NEON 1615 TV RGBW Outdoor · Vertical Bending · RGBW

Drivers

Non-dimmable

Code	Max Load	Input	Output	Dimmable	Class 2	Environment	Size (L *W *H)
KV-24030-ASW	30W	100-277VAC	24V	No	Yes	Dry/Damp	6.10" *2.12" *0.78"
KV-24060-ASW	60W	100-277VAC	24V	No	Yes	Dry/Damp	7.00" *2.40" *0.94"
KV-24096-ASW	96W	100-277VAC	24V	No	Yes	Dry/Damp/Wet	9.05" *2.75" *1.69"
KV-24150-ASW	150W	100-277VAC	24V	No	No	Dry/Damp/Wet	10.07" *3.07" *1.85"
KV-24200-ASW	200W	100-277VAC	24V	No	No	Dry/Damp/Wet	10.07" *3.07" *1.85"
KV-24300-ASW	300W	100-277VAC	24V	No	No	Dry/Damp/Wet	10.86" *3.07" *1.85"

DMX512-dimmable

Code	Max Load	Input	Output	Dimmable	Class 2	Environment	Size (L *W *H)
KVX-24096-4C-A	96W	100-277VAC	24V	Yes	Yes	Dry/Damp/Wet	9.05" *3.07" *0.98"
KVX-24150-4C-A	150W	100-277VAC	24V	Yes	No	Dry/Damp/Wet	10.90" *3.07" *0.98"
KVX-24200-4C-A	200W	100-277VAC	24V	Yes	No	Dry/Damp/Wet	10.90" *3.07" *0.98"
KVX-24300-4C-A	300W	100-277VAC	24V	Yes	No	Dry/Damp/Wet	11.85" *3.07" *0.98"

DMX Decoders

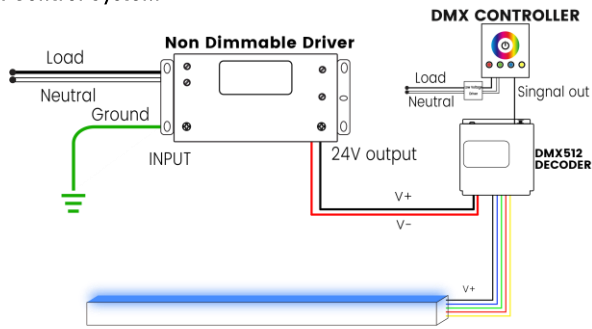
Code	Description
LT-904	4 channels output, up to 576W output power
LT-916	16 channels output, up to 1152W output power
LT-932	32 channels output, up to 2304W output power

Controllers

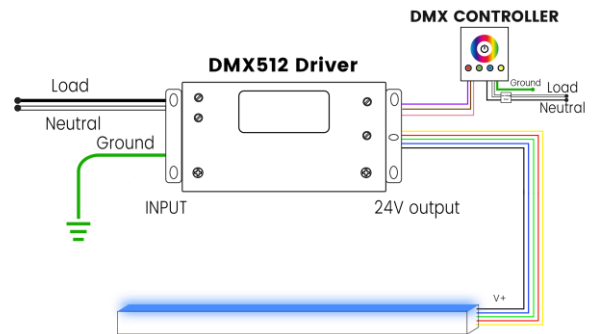
Code	Description
DINA-DR micro	DMX 60 channels, DMX Stand Alone controller with 10 scenes, USB connectivity for programming
SLESA-U9	DMX 256 channels, USB connection, standalone mode with 1 area and 20 scenes
STICK-GA2	DMX 512 channels, ready to use (pre-loaded with 8 scenes and 170 RGB fixtures)
STICK-CW4	DMX 1024 channels, up to 36 scenes stored and directly recalled via 6 touch sensitive buttons

Wiring Diagram

DMX Control System



DMX Driver System



LINIO NEON 1615 TV RGBW Outdoor · Vertical Bending · RGBW

Connectors (Optional, purchase for extra)



LN1615-SEC-C
Silicone closed end cap

LN1615-SEC-F-5P
Silicone end cap front entry with 0.98' (30cm) cable, 5 pin

LN1615-SEC-S-5P
Silicone end cap side entry with 0.98' (30cm) cable, 5 pin

LN1615-SEC-B-5P
Silicone end cap bottom entry with 0.98' (30cm) cable, 5 pin

LN1615-MEC1-C
Mechanical closed end cap with screws

LN1615-MEC1-F-5P
Mechanical end cap with screws, front entry with 0.98' (30cm) cable, 5 pin

LN1615-MEC1-LS-5P
Mechanical end cap with screws, left side entry with 0.98' (30cm) cable, 5 pin

LN1615-MEC1-RS-5P
Mechanical end cap with screws, right side entry with 0.98' (30cm) cable, 5 pin

LN1615-MEC1-B-5P
Mechanical end cap with screws, bottom entry with 0.98' (30cm) cable, screws 5 pin

LN1615-MEC3-C
Mechanical closed end cap without screws

LN1615-MEC3-F-5P
Mechanical end cap without screws, front entry with 0.98' (30cm) cable, 5 pin

LN1615-MEC3-LS-5P
Mechanical end cap without screws, left side entry with 0.98' (30cm) cable, 5 pin

LN1615-MEC3-RS-5P
Mechanical end cap without screws, right side entry with 0.98' (30cm) cable, 5 pin

LN1615-MEC3-B-5P
Mechanical end cap without screws, bottom entry with 0.98' (30cm) cable, 5 pin

Additional Accessories (Optional, purchase for extra)



MCW-5P-67
Male connector with 0.98' (30cm) white cable, 5 pin, IP67, Wet, 20 AWG

FCW-5P-67
Female connector with 0.98' (30cm) white cable, 5 pin, IP67, Wet, 20 AWG

MCB-5P-67
Male connector with 0.98' (30cm) black cable, 5 pin, IP67, Wet, 20 AWG

FCB-5P-67
Female connector with 0.98' (30cm) black cable, 5 pin, IP67, Wet, 20 AWG