

<b>Project:</b>	
<b>Type:</b>	

## KVG SERIES

Triac/0-10V/1-10V/Potentiometer/10V PWM  
5 in 1 Dimmable LED Driver

### Product Features

- Constant Voltage Driver
- Universal Input: 100-277VAC
- Built-in active PFC
- Power Factor: up to 0.99
- Efficiency: up to 87%
- Protection: short circuit/over load/over heat
- Dry/damp/wet locations
- Flicker-free
- Dimming options: MLV, ELV, TRIAC, 0-10V, PWM
- 0-100% dimmable with dimmer



Class P

### Product Code

MODEL
<b>KVG-24150-DW</b>

CERTIFICATES
FCC UL cUL

KVG	- XX	XXX	- DW	X
Series	Voltage	Power	Dimming	Enclosure
	24 -24VDC	150 -150W	Triac/0-10V/1-10V/Potentiometer/10V PWM 5 in 1 Dimmable	J - Junction box

### Specifications

OUTPUT	
<b>DC Voltage:</b>	24V
<b>Rated Current:</b>	6.25A
<b>Rated Power:</b>	150W
<b>Voltage Tolerance:</b>	±0.5V
<b>Voltage Regulation:</b>	±0.5%
<b>Load Regulation:</b>	±1%

INPUT	
<b>Voltage Range:</b>	100-277VAC
<b>Frequency:</b>	47-63Hz
<b>Power Factor (Typ.) @full load:</b>	0.99 @120VAC 0.94 @277VAC
<b>THD (Typ.) @full load:</b>	<20%
<b>Efficiency (Typ.) @full load:</b>	85% @120VAC 86% @277VAC
<b>AC Current (Max.):</b>	1.8A @100VAC
<b>Inrush Current (Typ.):</b>	15A, 50%, 1.4ms @120VAC 30A, 50%, 1.4ms @277VAC
<b>Leakage Current:</b>	<0.50mA

**PROTECTION**

<b>Short Circuit:</b>	Shut down o/p voltage, re-power on to reset after fault condition is removed
<b>Over Loading:</b>	≤120% hiccup mode, recover automatically after fault condition is removed
<b>Over Temperature:</b>	100°C±10°C shut down o/p voltage, automatically recover after cooling

**ENVIRONMENT**

<b>Working Temp.:</b>	-40~+60°C (-40° to 140°F)
<b>Working Humidity:</b>	20-95% RH, non-condensing
<b>Storage Temp., Humidity:</b>	-40~+80°C (-40° to 176°F), 10-95% RH
<b>Temp. Coefficient:</b>	±0.03%/°C (0-50°C)
<b>Vibration:</b>	10~500Hz, 5G 10min./1 cycle, period for 60min., each along X, Y, Z axis

**SAFTY & EMC**

<b>Safety Standards:</b>	UL8750 + UL1310, class 2 CAN/CSA-C22.2 No.250.13
<b>Withstand Voltage:</b>	I/P-O/P: 1.88KVAC
<b>Isolation Resistance:</b>	I/P-O/P: 100MΩ/500VDC/25°C/70%RH
<b>EMC Emission:</b>	FCC 47 CFR Part 15, Subpart B

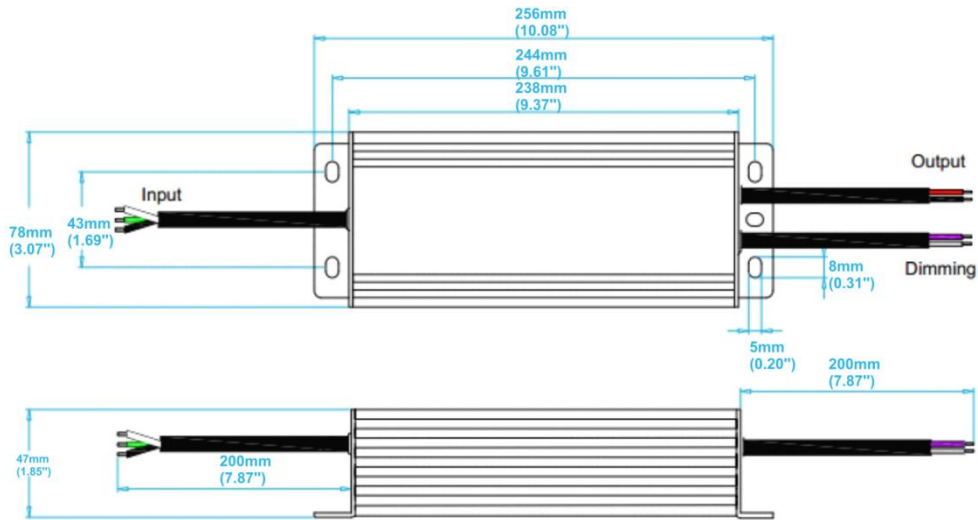
**OTHERS**

<b>Net. Weight:</b>	1.5 kg
<b>Size:</b>	10.08*3.07*1.85 inch / 256*78*47mm (L*W*H)

**Notes:**

1. All parameters if NOT specially mentioned are measured at 120VAC input, under rated load and 25°C (77°F) of ambient temperature.

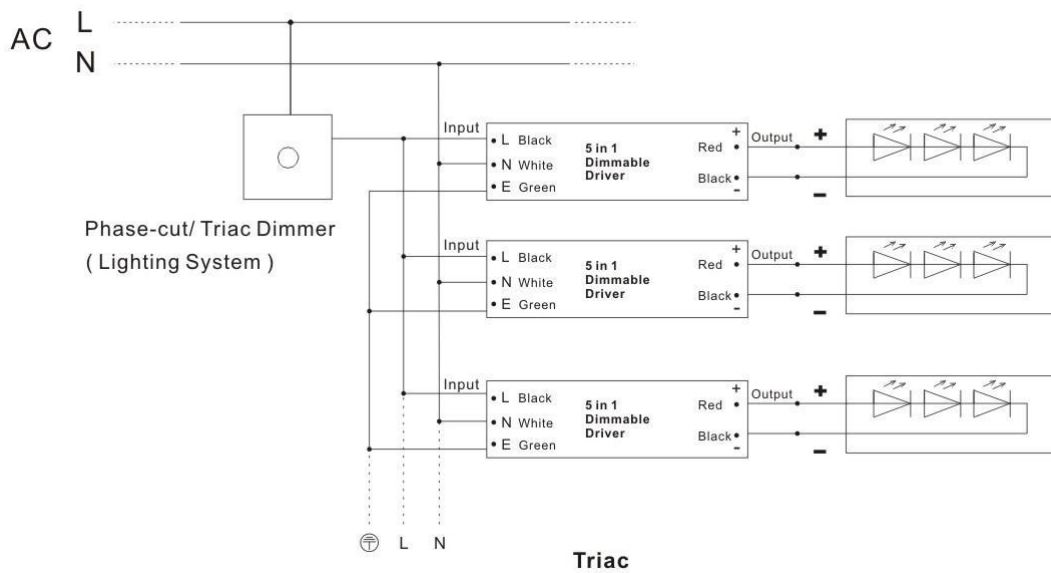
### Dimensions



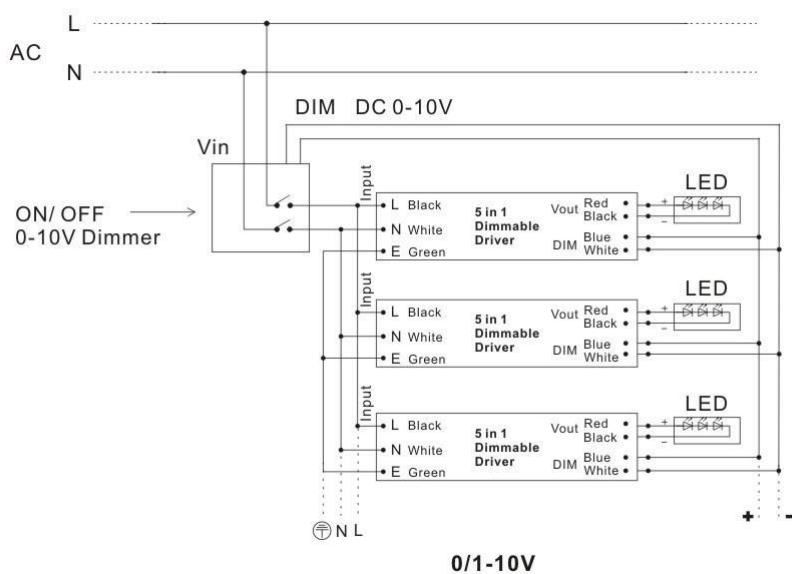
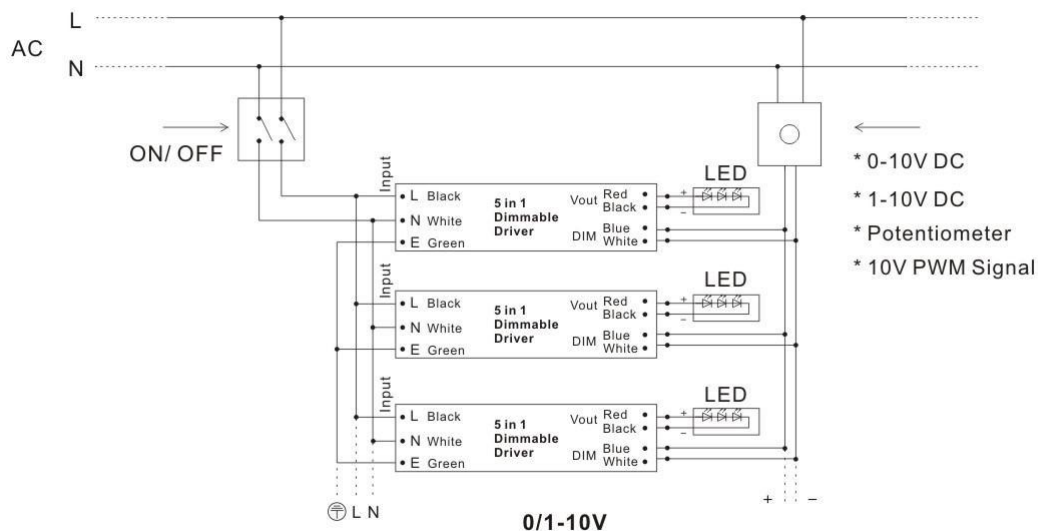
1. The input terminal has a 3-pin wire, of which the green wire is to be connected to the ground, black and white connected to AC L and N.
2. The output terminal has a 2-pin wire, red wire is V+, black wire is V-.
3. The dimming terminal has a 2-pin wire, purple wire is DIM+, grey wire is DIM-.

### Wiring Diagram

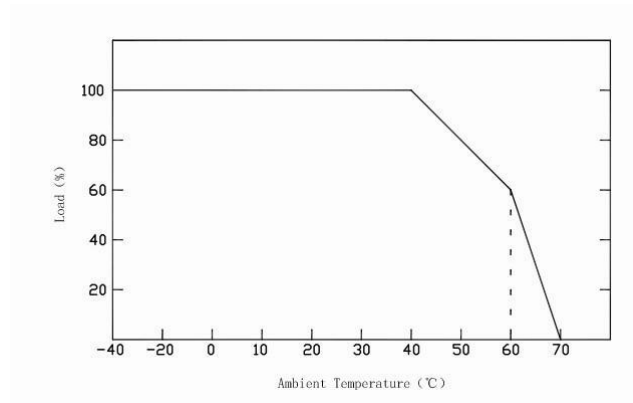
#### TRIAC/Phase cut dimming:



### 0-10/1-10V dimming:



### Derating Curve



\*To ensure the driver's long life, please refer to the Derating Curve and derate according to the ambient temperature.