

# NOVA TAPE SV

Indoor · White · Side-emitting

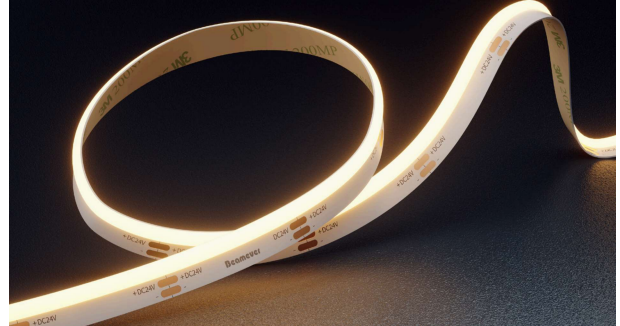
# Beamever

## Features

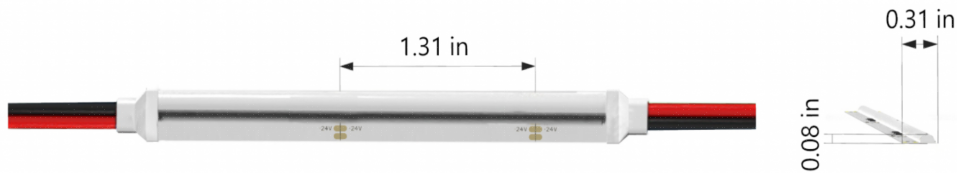
- Field cuttable
- Slim side-emitting and dotless lighting
- Slim and elegant, ideal for indoor applications
- 3M tape on the back makes it easy to install
- Channel-free, easy to mount on smooth surface
- 5 years warranty



Fixture type	
Project name	
Project phase	
Date	



## Dimension



## Physical

PCB Width	0.31" (8mm)
LED Pitch	N/A
Cutting Interval	1.31" (33.33mm)
LED Brand	Sanan
LED Type	COB
LED Quantity	146 LEDs/ft (480 LEDs/m)
Housing Material	N/A
Housing Technique	N/A
Adhesive Type	Yellow 3M tape
Feed Entry	Front
Feed Length	Standard length 3.28'
Storage Temperature	-20°C(-4°F) to 45°C (113°F)
Ambient Temperature	-20°C(-4°F) to 40°C (104°F)@3.05W
Max Production Length	98.4ft (30m)

## Performance & Electrical

Voltage	24VDC (23.5Vmin, 24.5Vmax)
Beam Angle	180°
MacAdam	3 steps
Efficacy (lm/W)	60lm/W @4000K 3.05W
CRI	Ra90
Lumen Maintenance	> 50,000 hours
IP Rating	IP20
Resistance	UV, solvent, saltwater, flame
Dimming	Triac, ELV, PWM, 0-10V, DMX
Control Protocol	N/A
Warranty	5 years

## Certification & Safety

Certifications	UL
Environment	Dry locations

Lumen/ft	3.05W
■ 2200K	126
■ 2400K	137
■ 2700K	152
■ 3000K	167
■ 4000K	183
■ 6500K	213
Max. Run Length(ft)	16.4

# NOVA TAPE SV

Indoor · White · Side-emitting



## Order Code

Series	Temp./Color	Power	Connector Wire	IP Rating	Length (mm)
NOVASV	22=2200K 24=2400K 27=2700K 30=3000K 40=4000K 65=6500K	305=3.05W	OW=Open wire 3.28' MFC=Male & female connector 0.98'	20=IP20	Min. - 1.31" Max. - 98.4" Cut Inc. - 1.31"

Example: NOVASV-30-305-OW-20-11'

\* Customizable—Contact Beamever representatives

## Driver Options

Code	Max Load	Input	Output	Dimmable	Class 2	Environment	Size (L*W*H)
<b>Non Dimmable</b>							
KV-24030-ASW	30W	100-277VAC	24V	No	Yes	Dry/damp	6.10*2.12*0.78 inch
KV-24060-ASW	60W	100-277VAC	24V	No	Yes	Dry/damp	7.00*2.40*0.94 inch
KV-24096-ASW	96W	100-277VAC	24V	No	Yes	Dry/damp/wet	9.05*2.75*1.69 inch
KV-24150-ASW	150W	100-277VAC	24V	No	No	Dry/damp/wet	10.07*3.07*1.85 inch
KV-24200-ASW	200W	100-277VAC	24V	No	No	Dry/damp/wet	10.07*3.07*1.85 inch
KV-24300-ASW	300W	100-277VAC	24V	No	No	Dry/damp/wet	10.86*3.07*1.85 inch
<b>Phase cut /Triac Dimmable</b>							
KVF-24030-TDW	30W	100-277VAC	24V	Yes	Yes	Dry/damp	6.10*2.12*0.78 inch
KVF-24060-TDW	60W	100-277VAC	24V	Yes	Yes	Dry/damp	7*2.4*0.94 inch
KVF-24096-TDW	96W	100-277VAC	24V	Yes	Yes	Dry/damp/wet	9.05*2.75*1.69 inch
KVF-24150-TDW	150W	100-277VAC	24V	Yes	No	Dry/damp/wet	10*3.07*1.85 inch
KVF-24200-TDW	200W	100-277VAC	24V	Yes	No	Dry/damp/wet	10*3.07*1.85 inch
KVF-24300-TDW	300W	100-277VAC	24V	Yes	No	Dry/damp/wet	10.87*3.07*1.85 inch
<b>4 in 1 Dimmable (0-10V/1-10V/Potentiometer/10V PWM)</b>							
KVD-24030-DIM	30W	100-277VAC	24V	Yes	Yes	Dry/damp	6.10*2.12*0.78 inch
KVD-24060-DIM	60W	100-277VAC	24V	Yes	Yes	Dry/damp	7.01*2.40*0.94 inch
KVD-24096-DIM	96W	100-277VAC	24V	Yes	Yes	Dry/damp/wet	9.05*2.75*1.69 inch
KVD-24150-DIM	150W	100-277VAC	24V	Yes	No	Dry/damp/wet	10.08*3.07*1.85 inch
KVD-24200-DIM	200W	100-277VAC	24V	Yes	No	Dry/damp/wet	13.38*11.02*7.28 inch
KVD-24300-DIM	300W	100-277VAC	24V	Yes	No	Dry/damp/wet	10.87*3.07*1.89 inch
<b>5 in 1 Dimmable (Triac/0-10V/1-10V/Potentiometer/10V PWM)</b>							
KVG-24030-DW	30W	100-277VAC	24V	Yes	Yes	Dry/damp	6.1*2.13*0.79 inch
KVG-24060-DW	60W	100-277VAC	24V	Yes	Yes	Dry/damp	7.01*2.41*0.94 inch
KVG-24096-DW	96W	100-277VAC	24V	Yes	Yes	Dry/damp/wet	9.06*2.76*1.69 inch
KVG-24150-DW	150W	100-277VAC	24V	Yes	No	Dry/damp/wet	10.08*3.07*1.85 inch
KVG-24200-DW	200W	100-277VAC	24V	Yes	No	Dry/damp/wet	10.08*3.07*1.85 inch
KVG-24300-DW	300W	100-277VAC	24V	Yes	No	Dry/damp/wet	10.87*3.07*1.89 inch

\* Please refer to the spec sheet of each power supply for more detailed information

\* KVF, KVD, KVG series are available in junction box enclosure, you can select it by adding "J" at the end of the driver code, e.g. KVF-24030-TDWJ, and refer to its standalone spec sheet on our website.

# NOVA TAPE SV

Indoor · White · Side-emitting



## Accessories Options



Name Male & female connector

Code MFC-2P-20

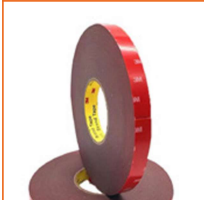
Male and female connector with 11.81" cable, IP20, 2 pin



Name Male & female DC connector

Code MFC-DC-44

Male and female DC connector with 11.81" cable, IP44



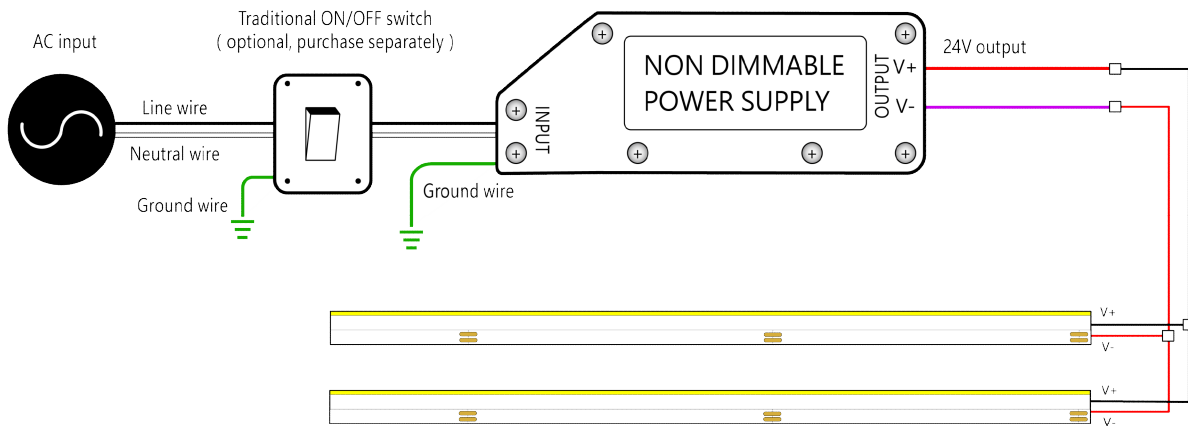
Name VHB 3M adhesive tape

Code VHB

VHB 3M adhesive back tape, stronger stickiness.

## Wiring Diagram

### Non Dimmable



### Dimmable

