

# LINIO NEON DUO

Indoor/Outdoor · Two-side Emitting

# Beamever

## Features

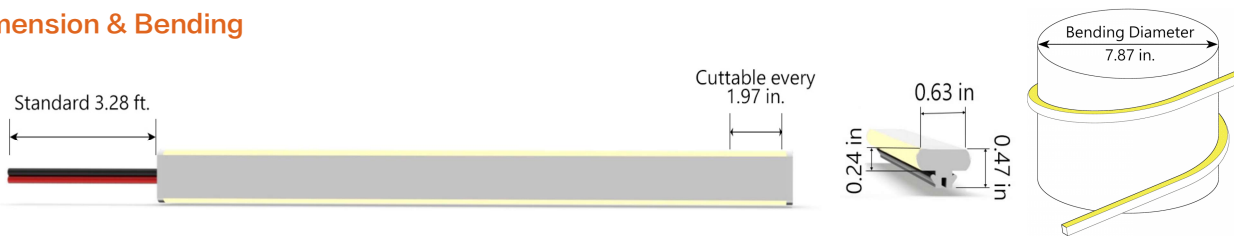
- Two sides emitting for accent lighting
- Ideal for interior decorative lighting
- Low voltage 24V DC
- Self-recessed mounted design
- UV stable without yellowing or cracking over time
- 5 years warranty



Fixture type	
Project name	
Project phase	
Date	



## Dimension & Bending



## Physical

Dimensions	0.63" x 0.47" (width x height)
Bend Direction	Vertical bending
Bend Diameter	7.87" (200mm)
Cutting Interval	1.97" (50mm)
Field Cuttable	Yes
Housing Material	Dow Corning
Housing Technique	Co-extrusion
Body Color	White
Finish	Matte
Feed Entry	Front
Feed Length	Standard length 3.28'
End Cap	Injected (Factory made only)
Mounting	Self-recessed mounted
Storage Temperature	-40~60°C (-40~140°F)
Ambient Temperature	-40~60°C (-40~140°F)@3.05W
Max. Production Length	98.43ft (30m)

## Performance & Electrical

Voltage	24VDC (23.5Vmin, 24.5Vmax)
Beam Angle	120°
MacAdam	2 steps
Efficacy (lm/W)	60lm/W @4000K 3.05W
CRI	Ra90
Lumen Maintenance	> 54,000 hours
IP Rating	IP65
Resistance	UV, solvent, saltwater, flame
Dimming	Triac, ELV, PWM, 0-10V, DMX
Control Protocol	N/A
Warranty	5 years

## Certification & Safety

Certifications	UL
Environment	Dry, damp locations

Lumen/ft	3.05W
■ 2200K	100
■ 2400K	109
■ 2700K	114
■ 3000K	120
■ 3500K	123
■ 4000K	124
■ 5000K	133
Max. Run Length(ft)	16.4

\*Other color temperatures and single chromatic colors customizable.

# LINIO NEON DUO

Indoor/Outdoor · Two-side Emitting



## Order Code

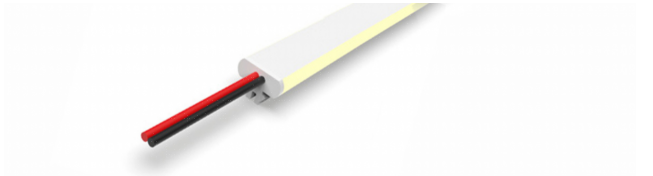
Series	Temp./Color	Power	Feed Entry	Connector Wire	End Cap	Length (ft)
LND	22=2200K 24=2400K 27=2700K 30=3000K 35=3500K 40=4000K 50=5000K	305=3.05W	FF=Front + Front FC=Front + Closed	OW=Open wire 3.28' MFC=Male & female connector 0.98'	IJ=Injected end cap (IP65) *Only available for front/closed entry * End caps are added by default	Min. - 1.97" Max. - 98.4' Cut Inc. - 1.97"

Example: LN1612SV-27-305-FF-OW-IJ-11'

\* Customizable—Contact Beamever representatives

## Feed Entry Options

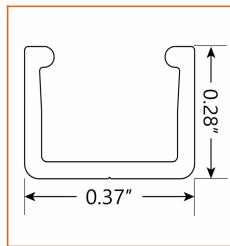
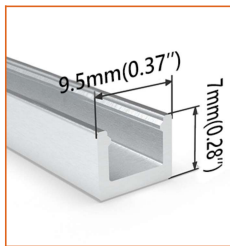
Front feed entry (F)



Closed feed entry (C)



## Mounting Options



\* Standard length is 3.28'/pcs.

Name	Straight Aluminum channel
Code	LND-SC
Material	Aluminum
Mounting style	Surface mounted
Length	3.28' (1m)
Width	0.37" (9.5mm)
Height	0.28" (7mm)
Internal width	0.31" (7.82mm)

**Driver Options**

Code	Max Load	Input	Output	Dimmable	Class 2	Environment	Size (L*W*H)
<b>Non Dimmable</b>							
KV-24030-ASW	30W	100-277VAC	24V	No	Yes	Dry/damp	6.10*2.12*0.78 inch
KV-24060-ASW	60W	100-277VAC	24V	No	Yes	Dry/damp	7.00*2.40*0.94 inch
KV-24096-ASW	96W	100-277VAC	24V	No	Yes	Dry/damp/wet	9.05*2.75*1.69 inch
KV-24150-ASW	150W	100-277VAC	24V	No	No	Dry/damp/wet	10.07*3.07*1.85 inch
KV-24200-ASW	200W	100-277VAC	24V	No	No	Dry/damp/wet	10.07*3.07*1.85 inch
KV-24300-ASW	300W	100-277VAC	24V	No	No	Dry/damp/wet	10.86*3.07*1.85 inch
<b>Phase cut /Triac Dimmable</b>							
KVF-24030-TDW	30W	100-277VAC	24V	Yes	Yes	Dry/damp	6.10*2.12*0.78 inch
KVF-24060-TDW	60W	100-277VAC	24V	Yes	Yes	Dry/damp	7*2.4*0.94 inch
KVF-24096-TDW	96W	100-277VAC	24V	Yes	Yes	Dry/damp/wet	9.05*2.75*1.69 inch
KVF-24150-TDW	150W	100-277VAC	24V	Yes	No	Dry/damp/wet	10*3.07*1.85 inch
KVF-24200-TDW	200W	100-277VAC	24V	Yes	No	Dry/damp/wet	10*3.07*1.85 inch
KVF-24300-TDW	300W	100-277VAC	24V	Yes	No	Dry/damp/wet	10.87*3.07*1.85 inch
<b>4 in 1 Dimmable (0-10V/1-10V/Potentiometer/10V PWM)</b>							
KVD-24030-DIM	30W	100-277VAC	24V	Yes	Yes	Dry/damp	6.10*2.12*0.78 inch
KVD-24060-DIM	60W	100-277VAC	24V	Yes	Yes	Dry/damp	7.01*2.40*0.94 inch
KVD-24096-DIM	96W	100-277VAC	24V	Yes	Yes	Dry/damp/wet	9.05*2.75*1.69 inch
KVD-24150-DIM	150W	100-277VAC	24V	Yes	No	Dry/damp/wet	10.08*3.07*1.85 inch
KVD-24200-DIM	200W	100-277VAC	24V	Yes	No	Dry/damp/wet	13.38*11.02*7.28 inch
KVD-24300-DIM	300W	100-277VAC	24V	Yes	No	Dry/damp/wet	10.87*3.07*1.89 inch
<b>5 in 1 Dimmable (Triac/0-10V/1-10V/Potentiometer/10V PWM)</b>							
KVG-24030-DW	30W	100-277VAC	24V	Yes	Yes	Dry/damp	6.1*2.13*0.79 inch
KVG-24060-DW	60W	100-277VAC	24V	Yes	Yes	Dry/damp	7.01*2.41*0.94 inch
KVG-24096-DW	96W	100-277VAC	24V	Yes	Yes	Dry/damp/wet	9.06*2.76*1.69 inch
KVG-24150-DW	150W	100-277VAC	24V	Yes	No	Dry/damp/wet	10.08*3.07*1.85 inch
KVG-24200-DW	200W	100-277VAC	24V	Yes	No	Dry/damp/wet	10.08*3.07*1.85 inch
KVG-24300-DW	300W	100-277VAC	24V	Yes	No	Dry/damp/wet	10.87*3.07*1.89 inch

\* Please refer to the spec sheet of each power supply for more detailed information

\* KVF, KVD, KVG series are available in junction box enclosure, you can select it by adding "J" at the end of the driver code, e.g. KVF-24030-TDWJ, and refer to its standalone spec sheet on our website.

# LINIO NEON DUO

Indoor/Outdoor · Two-side Emitting



## Accessories Options (Optional, purchase for extra)



Name Male and female connectors

Code MFC-2P-67

Male and female connectors with 11.81" cable, IP67, 2 pin



Name Extension connectors

Code ETC-2P-1M

Extension M&F connectors with 1m (3.28ft) cable, IP67, 2 pin



Name Extension connectors

Code ETC-2P-5M

Extension M&F connectors with 5m (16.4ft) cable, IP67, 2 pin



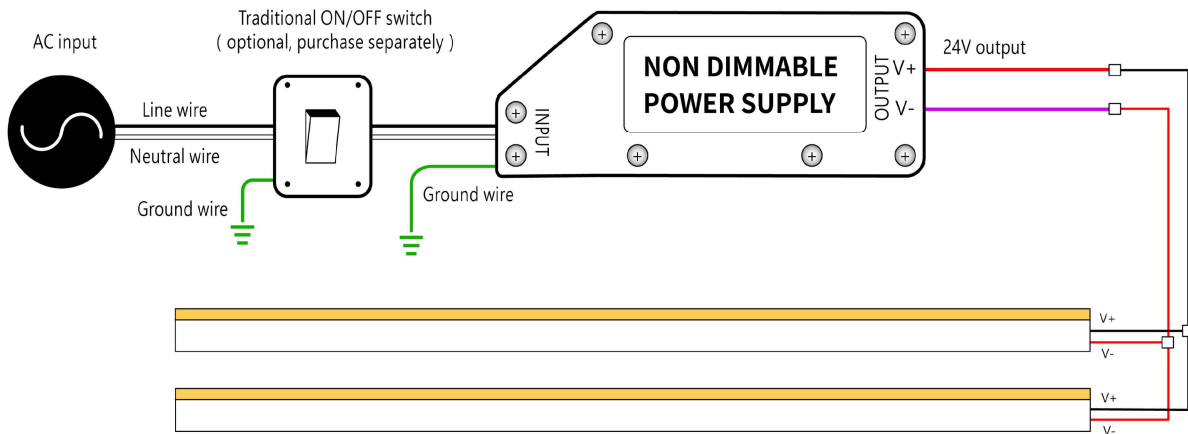
Name Silicone glue

Code SG

Silicone glue

## Wiring Diagram

### Non Dimmable



### Dimmable

