

# LINIO NEON EOS TV RGB

Indoor/Outdoor · RGBW · Field Cuttable

# Beamever

## Features

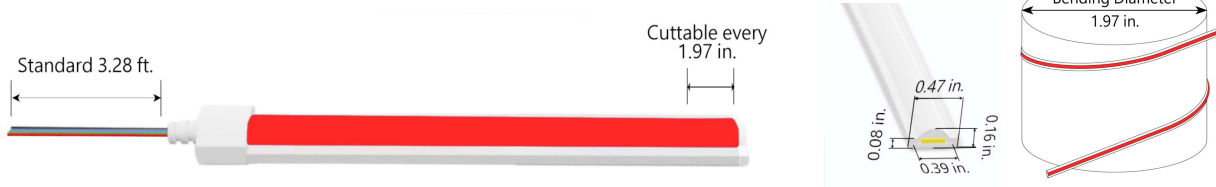
- Hybrid neon tape
- Field cuttable & joinable
- Slim and elegant looking, naturally blend into white walls
- UV stable without yellowing or cracking over time
- RGB allows for versatile lighting effects
- 5 years warranty



Fixture type	
Project name	
Project phase	
Date	



## Dimension & Bending



## Physical

Dimensions	Width 0.47" (12mm)
Bend Direction	Vertical bending
Bend Diameter	1.97" (50mm)
Cutting Interval	1.97" (50mm)
Field Cuttable	Yes
Housing Material	Dow Corning
Housing Technique	Co-extrusion
Body Color	White
Finish	Matte
Feed Entry	Front
Feed Length	Standard length 3.28'
End Cap	Injected (Factory made only)
Mounting	Clips or adhesive tape
Storage Temperature	-40~60°C (-40~140°F)
Ambient Temperature	-40~55°C (-40~131°F)@3.66W
Max. Production Length	98.43ft (30m)

## Performance & Electrical

Voltage	24VDC (23.5Vmin, 24.5Vmax)
Beam Angle	120°
MacAdam	3 steps
Efficacy (lm/W)	16lm/W @3.66W
CRI	N/A
Lumen Maintenance	> 30,000 hours
IP Rating	IP65
Resistance	UV, solvent, saltwater, flame
Dimming	DMX
Control Protocol	N/A
Warranty	5 years

<b>Lumen/ft</b>	<b>3.66W</b>
■ R	31.3
■ G	63.5
■ B	8.1
■ RGB	98.8
Max. Run Length(ft)	16.4

## Certification & Safety

Certifications	UL
Environment	Dry or damp locations

# LINIO NEON EOS TV RGB

Indoor/Outdoor · RGBW · Field Cuttable



## Order Code

Series	Temp./Color	Power	Feed Entry	Connector Wire	End Cap	Length (ft)
LNEOSTV	RGB	366=3.66W	FC=Front + Closed FF=Front + Front	OW=Open wire 3.28' MFC=Male & female connector 0.98'	IJ=Injected end cap (IP65) SEC=Silicone end cap (IP65) * End caps are added by default	Min. - 1.97" Max. - 98.4' Cut Inc. - 1.97"

Example: LNEOSTV-RGB-366-FF-OW-IJ-11'

\* Customizable—Contact Beamever representatives

## Feed Entry Options

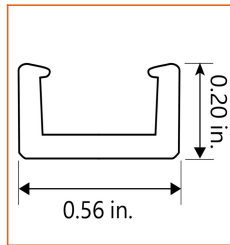
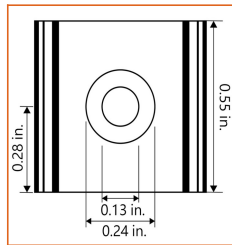
Front feed entry (F)



Closed feed entry (C)

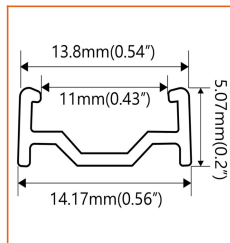
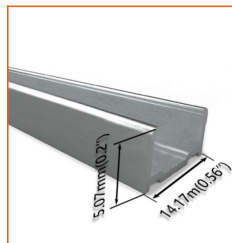


## Mounting Options



\* Recommend use 1 mounting clip for 1' of neon.

Name	Mounting clip
Code	LNEOSTV-CL-12
Material	Plastic
Mounting style	Surface mounted
Length	0.55" (14mm)
Width	0.56" (14.2mm)
Height	0.2" (5mm)
Internal Width	/



\* Standard length is 3.28'/pcs.

Name	Straight Aluminum channel
Code	LNEOSTV-SC-12
Material	Aluminum
Mounting style	Surface mounted
Length	3.28' (1m)
Width	0.56" (14.17mm)
Height	0.2" (5.07mm)
Internal width	0.43" (11mm)

# LINIO NEON EOS TV RGB

Indoor/Outdoor · RGBW · Field Cuttable



## Driver Options

Code	Max Load	Input	Output	Dimmable	Class 2	Environment	Size (L*W*H)
<b>Non Dimmable</b>							
KV-24030-ASW	30W	100-277VAC	24V	No	Yes	Dry/damp	6.10*2.12*0.78 inch
KV-24060-ASW	60W	100-277VAC	24V	No	Yes	Dry/damp	7.00*2.40*0.94 inch
KV-24096-ASW	96W	100-277VAC	24V	No	Yes	Dry/damp/wet	9.05*2.75*1.69 inch
KV-24150-ASW	150W	100-277VAC	24V	No	No	Dry/damp/wet	10.07*3.07*1.85 inch
KV-24200-ASW	200W	100-277VAC	24V	No	No	Dry/damp/wet	10.07*3.07*1.85 inch
KV-24300-ASW	300W	100-277VAC	24V	No	No	Dry/damp/wet	10.86*3.07*1.85 inch
<b>DMX512 Dimmable</b>							
KVX-24096-3C-A	96W	100-277VAC	24V	Yes	Yes	Dry/damp/wet	9.05*3.07*0.98 inch
KVX-24150-3C-A	150W	100-277VAC	24V	Yes	No	Dry/damp/wet	10.9*3.07*0.98 inch
KVX-24200-3C-A	200W	100-277VAC	24V	Yes	No	Dry/damp/wet	10.9*3.07*0.98 inch
KVX-24300-3C-A	300W	100-277VAC	24V	Yes	No	Dry/damp/wet	11.85*3.07*0.98 inch

\* Please refer to the spec sheet of each power supply for more detailed information

## DMX Decoder Options

Code	Description
LT-903	3 channels output, up to 576W output power
LT-912	12 channels output, up to 1152W output power
LT-924	24 channels output, up to 1728W output power

\* Please refer to the spec sheet of each decoder for more detailed information

## Controller Options

Code	Description
DINA-DR micro	DMX 60 channels, DMX Stand Alone controller with 10 scenes, USB connectivity for programming
SLESA-U9	DMX 256 channels, USB connection, stand alone mode with 1 area and 20 scenes
STICK-GA2	DMX 512 channels, ready to use (pre-loaded with 8 scenes and 170 RGB fixtures)
STICK-CW4	DMX 1024 channels, up to 36 scenes stored and directly recalled via 6 touch sensitive buttons.

\* Please refer to the spec sheet of each controller for more detailed information

## Accessories Options (Optional, purchase for extra)



Name Silicone closed end cap

Code LNEOSTV-SEC-C-12

Closed silicone end cap for 12mm wide LINIO NEON EOS TV



Name Silicone front end cap

Code LNEOSTV-SEC-F-4P-12

Silicone end cap front entry with 11.81" 4 pin cable



Name Male and female connectors

Code MFC-4P-20

Male and female connectors with 11.81" cable, IP20, 4 pin



Name Quick connector

Code LNEOSTV-QC-4P

Quick strip-to-cable connector with 11.81" cable, IP20, 4 pin



Name Silicone glue

Code SG

Silicone glue



Name VHB 3M adhesive back tape

Code VHB

EOS already comes with normal 3M back tape, VHB 3M tape has stronger stickiness.

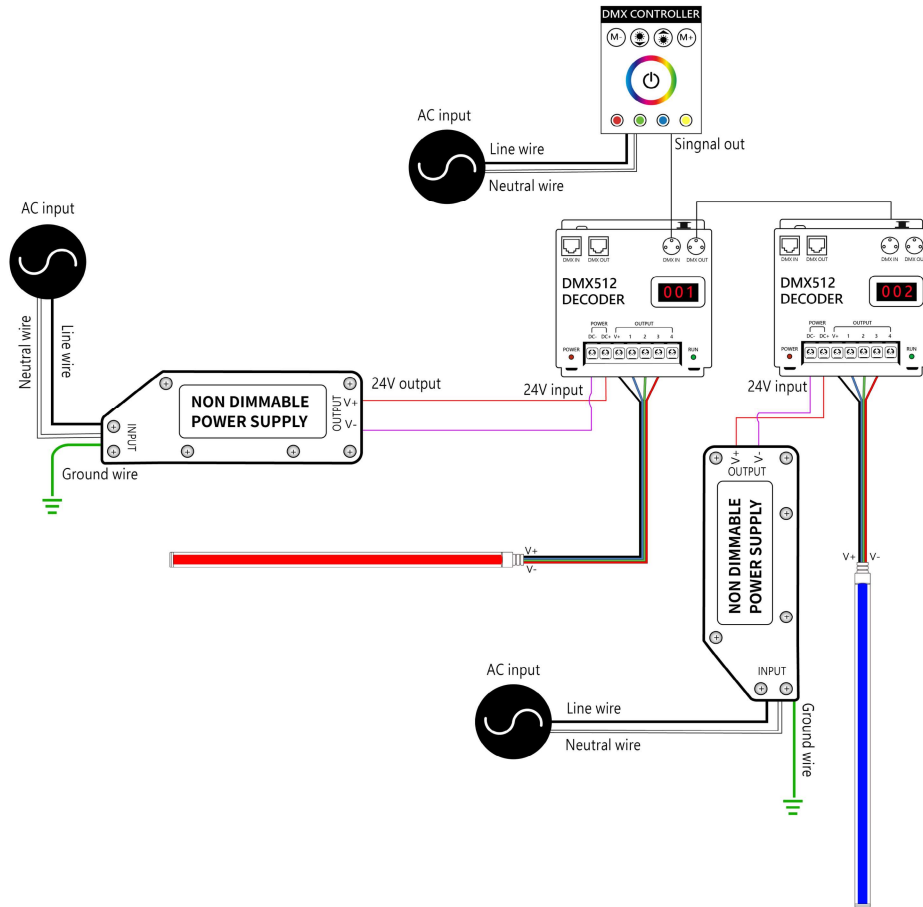
# LINIO NEON EOS TV RGB

Indoor/Outdoor · RGBW · Field Cuttable



## Wiring Diagram

### Nicolaudie DMX Control System



### DMX Driver System

