

LINIO NEON EOS TV RGBWW

Indoor/Outdoor · RGBWW · Field Cuttable

Beamever

Features

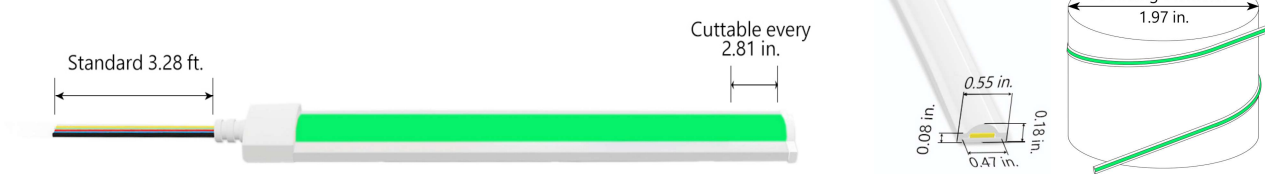
- Hybrid neon tape
- Field cuttable & joinable
- Slim and elegant looking, naturally blend into white walls
- UV stable without yellowing or cracking over time
- RGBWW allows for versatile lighting effects
- 5 years warranty



Fixture type	
Project name	
Project phase	
Date	



Dimension & Bending



Physical

Dimensions	Width 0.55" (14mm)
Bend Direction	Vertical bending
Bend Diameter	1.97" (50mm)
Cutting Interval	2.81" (71.4mm)
Field Cuttable	Yes
Housing Material	Dow Corning
Housing Technique	Co-extrusion
Body Color	White
Finish	Matte
Feed Entry	Front
Feed Length	Standard length 3.28'
End Cap	Injected (Factory made only)
Mounting	Clips or adhesive tape
Storage Temperature	-40~60°C (-40~140°F)
Ambient Temperature	-40~45°C (-40~113°F)@5.79W
Max. Production Length	98.43ft (30m)

Performance & Electrical

Voltage	24VDC (23.5Vmin, 24.5Vmax)
Beam Angle	120°
MacAdam	3 steps
Efficacy (lm/W)	51lm/W @5.79W
CRI	90 (for white light)
Lumen Maintenance	> 30,000 hours
IP Rating	IP65
Resistance	UV, solvent, saltwater, flame
Dimming	DMX
Control Protocol	N/A
Warranty	5 years

Lumen/ft	5.79W
R	18
G	52
B	10
2700K	110
5500K	109
RGBWW2755	295
Max. Run Length(ft)	16.4

Certification & Safety

Certifications	UL
Environment	Dry or damp locations

LINIO NEON EOS TV RGBWW

Indoor/Outdoor · RGBWW · Field Cuttable



Order Code

Series	Temp./Color	Power	Feed Entry	Connector Wire	End Cap	Length (ft)
LNEOSTV	RGBWW2755	579=5.79W	FC=Front + Closed FF=Front + Front	OW=Open wire 3.28' MFC=Male & female connector 0.98'	IJ=Injected end cap (IP65) SEC=Silicone end cap (IP65) * End caps are added by default	Min. - 2.81" Max. - 98.4' Cut Inc. - 2.81"

Example: LNEOSTV-RGBWW2755-579-FF-OW-IJ-11'

* Customizable—Contact Beamever representatives

Feed Entry Options

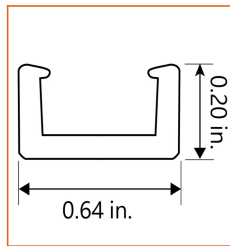
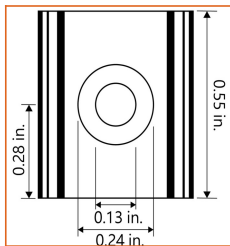
Front feed entry (F)



Closed feed entry (C)

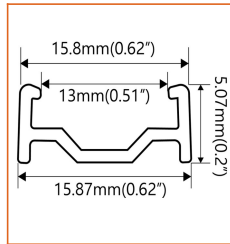
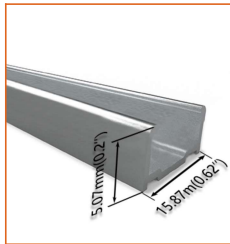


Mounting Options



* Recommend use 1 mounting clip for 1' of neon.

Name	Mounting clip
Code	LNEOSTV-CL-14
Material	Plastic
Mounting style	Surface mounted
Length	0.55" (14mm)
Width	0.64" (16.4mm)
Height	0.2" (5mm)
Internal Width	/



* Standard length is 3.28' / pcs.

Name	Straight Aluminum channel
Code	LNEOSTV-SC-14
Material	Aluminum
Mounting style	Surface mounted
Length	3.28' (1m)
Width	0.62" (14.17mm)
Height	0.2" (5.07mm)
Internal width	0.51" (13mm)

LINIO NEON EOS TV RGBWW

Indoor/Outdoor · RGBWW · Field Cuttable



Driver Options

Code	Max Load	Input	Output	Dimmable	Class 2	Environment	Size (L*W*H)
Non Dimmable							
KV-24030-ASW	30W	100-277VAC	24V	No	Yes	Dry/damp	6.10*2.12*0.78 inch
KV-24060-ASW	60W	100-277VAC	24V	No	Yes	Dry/damp	7.00*2.40*0.94 inch
KV-24096-ASW	96W	100-277VAC	24V	No	Yes	Dry/damp/wet	9.05*2.75*1.69 inch
KV-24150-ASW	150W	100-277VAC	24V	No	No	Dry/damp/wet	10.07*3.07*1.85 inch
KV-24200-ASW	200W	100-277VAC	24V	No	No	Dry/damp/wet	10.07*3.07*1.85 inch
KV-24300-ASW	300W	100-277VAC	24V	No	No	Dry/damp/wet	10.86*3.07*1.85 inch
DMX512 Dimmable							
KVX-24096-5C-A	96W	100-277VAC	24V	Yes	Yes	Dry/damp/wet	9.05*3.07*0.98 inch
KVX-24150-5C-A	150W	100-277VAC	24V	Yes	No	Dry/damp/wet	10.9*3.07*0.98 inch
KVX-24200-5C-A	200W	100-277VAC	24V	Yes	No	Dry/damp/wet	10.9*3.07*0.98 inch
KVX-24300-5C-A	300W	100-277VAC	24V	Yes	No	Dry/damp/wet	11.85*3.07*0.98 inch

* Please refer to the spec sheet of each power supply for more detailed information

DMX Decoder Options

Code	Description
LT-905	5 channels output, up to 600W output power

* Please refer to the spec sheet of each decoder for more detailed information

Controller Options

Code	Description
DINA-DR micro	DMX 60 channels, DMX Stand Alone controller with 10 scenes, USB connectivity for programming
SLESA-U9	DMX 256 channels, USB connection, stand alone mode with 1 area and 20 scenes
STICK-GA2	DMX 512 channels, ready to use (pre-loaded with 8 scenes and 170 RGB fixtures)
STICK-CW4	DMX 1024 channels, up to 36 scenes stored and directly recalled via 6 touch sensitive buttons.

* Please refer to the spec sheet of each controller for more detailed information

Accessories Options (Optional, purchase for extra)



Name Silicone closed end cap

Code LNEOSTV-SEC-C-14

Closed silicone end cap for 14mm wide LINIO NEON EOS TV



Name Silicone front end cap

Code LNEOSTV-SEC-F-6P-14

Silicone end cap front entry with 11.81" 6 pin cable



Name VHB 3M adhesive back tape

Code VHB

EOS already comes with normal 3M back tape, VHB 3M tape has stronger stickiness.



Name Silicone glue

Code SG

Silicone glue

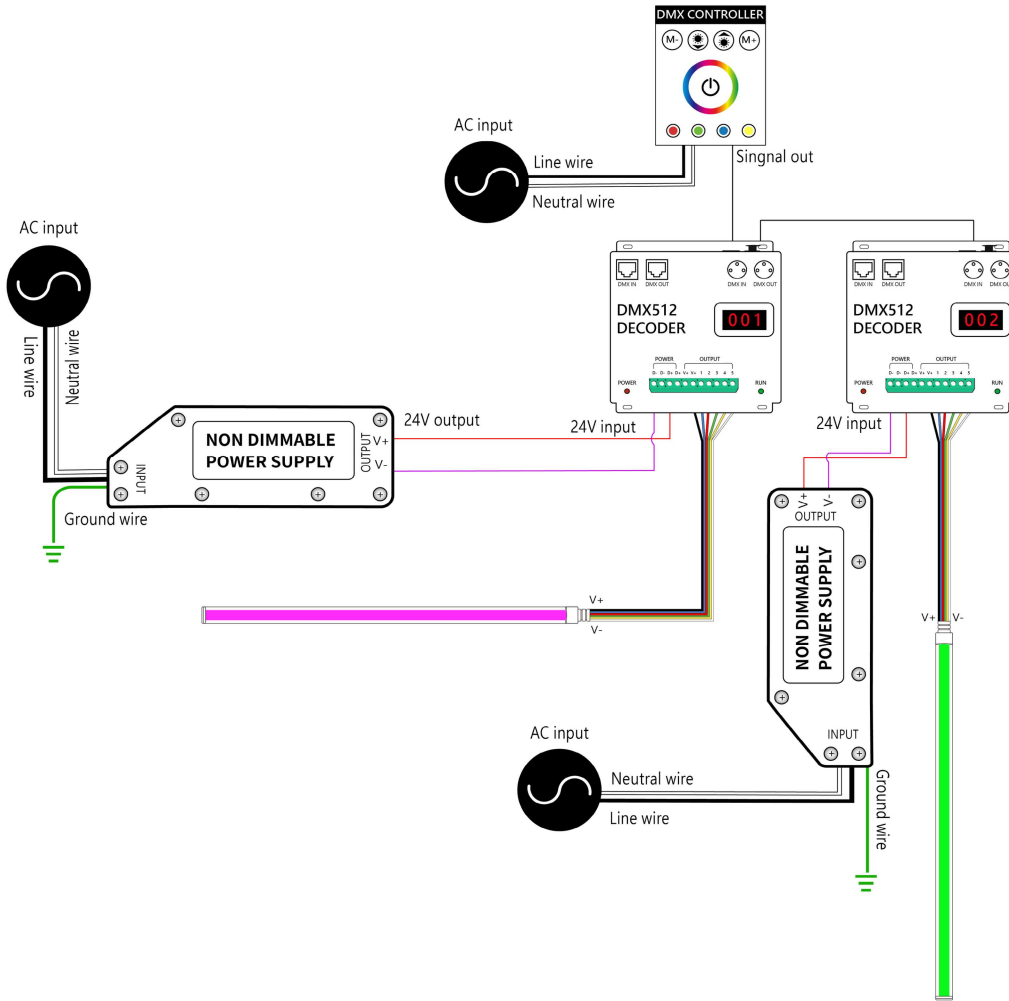
Wiring Diagram

LINIO NEON EOS TV RGBWW

Indoor/Outdoor · RGBWW · Field Cuttable



Nicolaudie DMX Control System



DMX Driver System

