

|          |  |
|----------|--|
| Project: |  |
| Type:    |  |

## KVD SERIES

0-10V/1-10V/Potentiometer/10V PWM  
4 in 1 Dimmable LED Driver

### Product Features

- Constant Voltage Driver
- Universal Input: 100-277VAC
- Built-in active PFC
- Power Factor: up to 0.98
- Efficiency: up to 88%
- Protection: short circuit/over load/over heat
- Dry/damp locations
- Flicker-free
- Dimming options: 0-10V/1-10V/Potentiometer/10V PWM
- 0-100% dimmable with dimmer



TYPE HL



### Product Code

| MODEL          |
|----------------|
| KVD-24200-DIMJ |

| CERTIFICATES                       |
|------------------------------------|
| UL, cUL listed, Type HL rated, FCC |

| KVD    | - | XX        | XXX       | - | DIM   | X                   |
|--------|---|-----------|-----------|---|---|---------------------|
| Series |   | Voltage   | Power     |   | Dimming   | Enclosure           |
|        |   | 24 -24VDC | 200 -200W |   | 0-10V/1-10V/Po<br>tentiometer/10V<br>PWM 4 in 1<br>Dimmable | J - Junction<br>box |

### Specifications

| OUTPUT              |       |
|---------------------|-------|
| DC Voltage:         | 24V   |
| Rated Current:      | 8.33A |
| Rated Power:        | 200W  |
| Voltage Tolerance:  | ±0.5V |
| Voltage Regulation: | ±0.5% |
| Load Regulation:    | ±1%   |

| INPUT                           |   |
|---------------------------------|---|
| Voltage Range:                  | 100-277VAC                                      |
| Frequency:                      | 47-63Hz   |
| Power Factor (Typ.) @full load: | 0.98 @120VAC 0.95 @277VAC                       |
| THD (Typ.) @full load:          | <20%  |
| Efficiency (Typ.) @full load:   | 86% @120VAC 88% @277VAC                         |
| AC Current (Max.):              | 2.3A @100VAC                                    |
| Inrush Current (Typ.):          | 15A, 50%, 1.4ms @120VAC 30A, 50%, 1.5ms @277VAC |

|                         |         |
|-------------------------|---------|
| <b>Leakage Current:</b> | <0.50mA |
|-------------------------|---------|

| PROTECTION               |  |
|--------------------------|--|
| <b>Short Circuit:</b>    | Shut down o/p voltage, re-power on to reset after fault condition is removed |
| <b>Over Loading:</b>     | ≤120% hiccup mode, recover automatically after fault condition is removed    |
| <b>Over Temperature:</b> | 100°C±10°C shut down o/p voltage, automatically recover after cooling        |

| ENVIRONMENT                     |   |
|---------------------------------|---|
| <b>Working Temp.:</b>           | -40~+60°C (-40° to 140°F)   |
| <b>Working Humidity:</b>        | 20-90% RH, non-condensing   |
| <b>Storage Temp., Humidity:</b> | -40~+80°C (-40° to 176°F), 10-95% RH                                    |
| <b>Temp. Coefficient:</b>       | ±0.03%/°C (0-50°C)  |
| <b>Vibration:</b>               | 10~500Hz, 5G 10min./1 cycle, period for 60min., each along X, Y, Z axis |

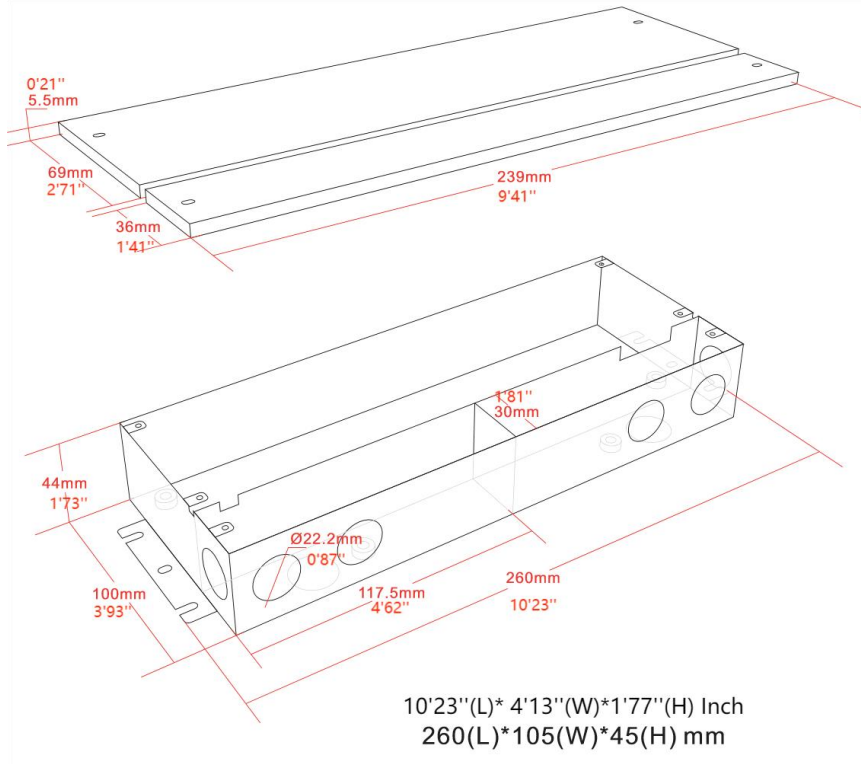
| SAFTY & EMC                  |                                  |
|------------------------------|----------------------------------|
| <b>Safety Standards:</b>     | UL8750                           |
| <b>Withstand Voltage:</b>    | I/P-O/P: 1.88KVAC                |
| <b>Isolation Resistance:</b> | I/P-O/P: 100MΩ/500VDC/25°C/70%RH |
| <b>EMC Emission:</b>         | FCC 47 CFR Part 15, Subpart B    |

| OTHERS              |   |
|---------------------|---|
| <b>Net. Weight:</b> | 1.8 kg                                      |
| <b>Size:</b>        | 10.23*4.13*1.77 inch / 260*105*45mm (L*W*H) |

**Notes:**

1. All parameters if NOT specially mentioned are measured at 120VAC input, under rated load and 25°C (77°F) of ambient temperature.
2. To ensure the driver's long life, please derate the output when input voltage is low.

**Dimensions**



1. The input terminal has a 3-pin wire, of which the green wire is to be connected to the ground, black and white connected to AC L and N.
2. The output terminal has a 2-pin wire, red wire is V+, black wire is V-.
3. The dimming terminal has a 2-pin wire, purple wire is DIM+, grey wire is DIM-.

**Wiring Diagram**

**0-10V/1-10V/Potentiometer/10V PWM dimming:**

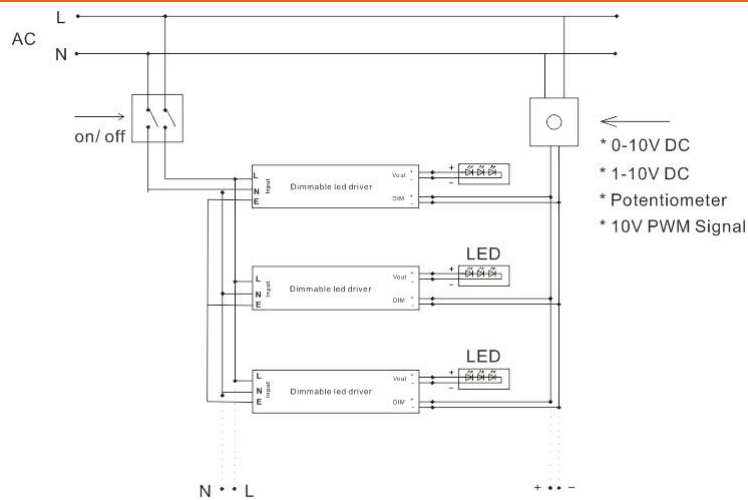
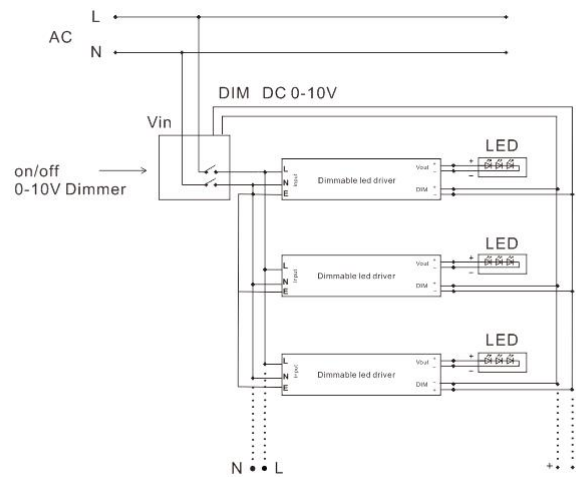
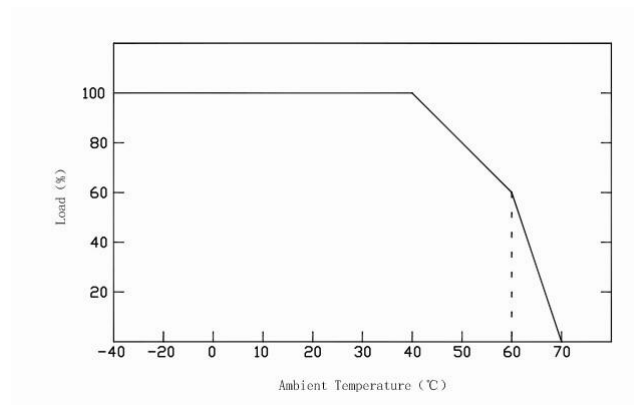


Diagram 1



### Derating Curve



\*To ensure the driver's long life, please refer to the Derating Curve and derate according to the ambient temperature.