

Project:	
Type:	

KVF SERIES

Phase cut /Triac Dimmable LED Driver

Product Features

- Constant Voltage Driver
- Universal Input: 100-277VAC
- Built-in active PFC
- Power Factor: up to 0.98
- Efficiency: up to 83%
- Load: 10-100%
- Protection: short circuit/over load/over heat
- Dry/damp locations
- Flicker-free
- Dimming options: Triac/Phase/ELV/MLV
- 0-100% dimmable with dimmer



Class 2

Class P

Product Code

MODEL
KVF-24060-TDWJ

CERTIFICATES
FCC UL cUL Class 2

KVF	-	XX	XXX	-	TDW	X
Series		Voltage	Power		Dimming	Enclosure
		24 -24VDC	060 -60W		Phase cut/Triac Dimmable	J -Junction box

Specifications

OUTPUT	
DC Voltage:	24V
Rated Current:	2.5A
Rated Power:	60W
Voltage Tolerance:	±0.5V
Voltage Regulation:	±0.5%
Load Regulation:	±1%

INPUT	
Voltage Range:	100-277VAC
Frequency:	47-63Hz
Power Factor (Typ.) @full load:	0.98 @120VAC 0.95 @277VAC
THD (Typ.) @full load:	<20%
Efficiency (Typ.) @full load:	83%
AC Current (Max.):	0.9A @100VAC
Inrush Current (Typ.):	14A, 50%, 780us
Leakage Current:	<0.50mA

PROTECTION

Short Circuit:	Shut down o/p voltage, re-power on to reset after fault condition is removed
Over Loading:	≤120% hiccup mode, recover automatically after fault condition is removed
Over Temperature:	100°C±10°C shut down o/p voltage, automatically recover after cooling

ENVIRONMENT

Working Temp.:	-40~+60°C (-40° to 140°F)
Working Humidity:	20-90% RH, non-condensing
Storage Temp., Humidity:	-40~+80°C (-40° to 176°F), 10-95% RH
Temp. Coefficient:	±0.03%/°C (0-50°C)
Vibration:	10~500Hz, 5G 10min./1 cycle, period for 60min., each along X, Y, Z axis

SAFTY & EMC

Safety Standards:	UL8750+UL1310
Withstand Voltage:	I/P-O/P: 1.88KVAC
Isolation Resistance:	I/P-O/P: 100MΩ/500VDC/25°C/70%RH
EMC Emission:	FCC Part 15 B

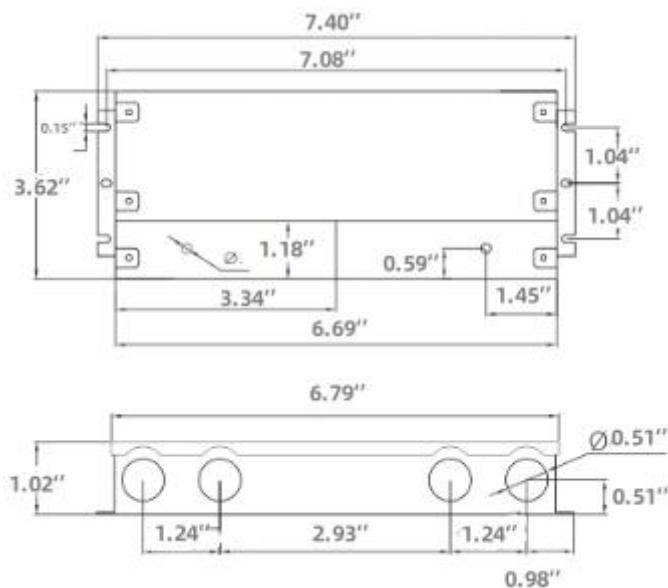
OTHERS

Net. Weight:	1.1kg
Size:	7.40*3.62*1.02 inch / 188*92*26mm (L*W*H)

Notes:

- All parameters if NOT specially mentioned are measured at 120VAC input, under rated load and 25°C (77°F) of ambient temperature.
- To ensure the driver's long life, please derate the output when input voltage is low.

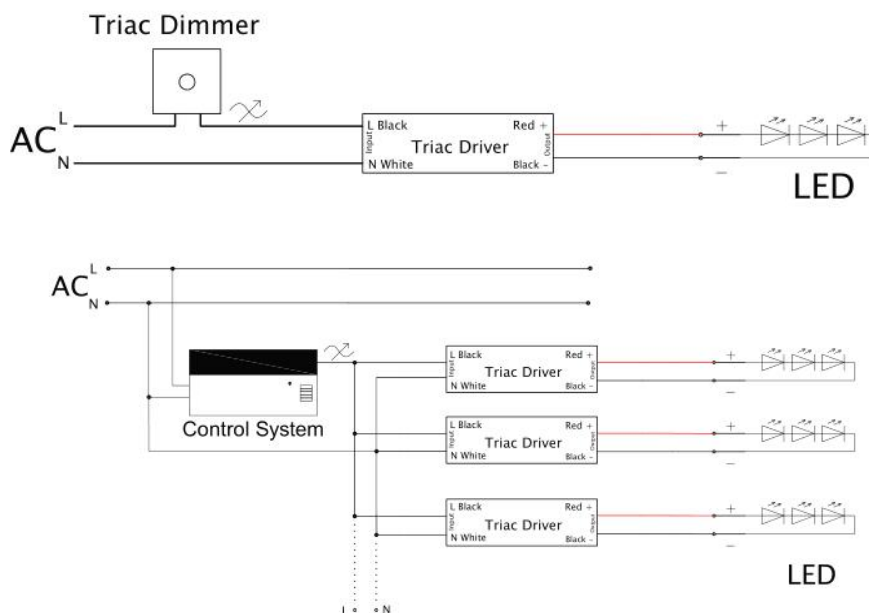
Dimensions



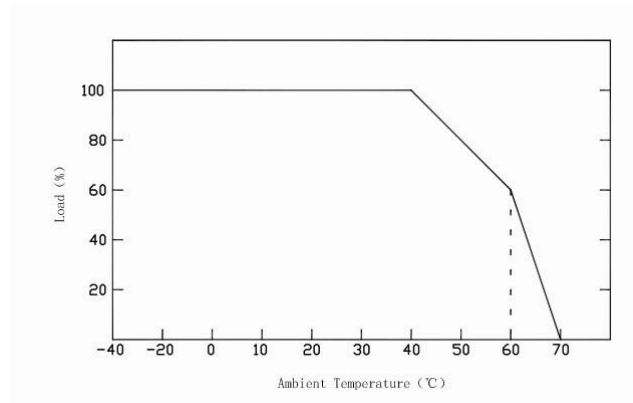
1. The input terminal has a 3-pin wire, of which the green wire is to be connected to the ground, black and white connected to AC L and N.
2. The output terminal has a 2-pin wire, red wire is V+, black wire is V-.

Wiring Diagram

Triac/Phase/ELV/MLV dimming:



Derating Curve



*To ensure the driver's long life, please refer to the Derating Curve and derate according to the ambient temperature.