

Project:	
Type:	

KVD SERIES

0-10V/1-10V/Potentiometer/10V PWM
4 in 1 Dimmable LED Driver

Product Features

- Constant Voltage Driver
- Universal Input: 100-277VAC
- Built-in active PFC
- Power Factor: up to 0.99
- Efficiency: up to 92%
- Protection: short circuit/over load/over heat
- Dry/damp/wet locations
- Dimming options: 0-10V/1-10V/Potentiometer/10V PWM
- 0-100% dimmable with dimmer



Class P

Product Code

MODEL
KVD-24300-DIM

CERTIFICATES
FCC UL cUL

KVD	-	XX	XXX	-	DIM	X
Series		Voltage	Power		Dimming	Enclosure
		24 -24VDC	300 -300W		0-10V/1-10V/Potentiometer/10V PWM 4 in 1 Dimmable	J - Junction box

Specifications

OUTPUT	
DC Voltage:	24V
Rated Current:	12.5A
Rated Power:	300W
Voltage Tolerance:	±0.5V
Voltage Regulation:	±0.5%
Load Regulation:	±1%

INPUT	
Voltage Range:	100-277VAC
Frequency:	47-63Hz
Power Factor (Typ.) @full load:	0.99 @120VAC 0.95 @277VAC
THD (Typ.) @full load:	<20% @120VAC & 277VAC
Efficiency (Typ.) @full load:	88% @120VAC 92% @277VAC
AC Current (Max.):	3.4A @100VAC
Inrush Current (Typ.):	20A, 50%, 1.9ms @120VAC 35A, 50%, 1.9ms @277VAC
Leakage Current:	<0.50mA

PROTECTION

Short Circuit:	Shut down o/p voltage, re-power on to reset after fault condition is removed
Over Loading:	≤120% hiccup mode, recover automatically after fault condition is removed
Over Temperature:	100°C±10°C shut down o/p voltage, automatically recover after cooling

ENVIRONMENT

Working Temp.:	-40~+60°C (-40° to 140°F)
Working Humidity:	20-95% RH, non-condensing
Storage Temp., Humidity:	-40~+80°C (-40° to 176°F), 10-95% RH
Temp. Coefficient:	±0.03%/°C (0-50°C)
Vibration:	10~500Hz, 5G 10min./1 cycle, period for 60min., each along X, Y, Z axis

SAFTY & EMC

Safety Standards:	UL8750 + UL1310, class 2 CAN/CSA-C22.2 No.250.13
Withstand Voltage:	I/P-O/P: 1.88KVAC
Isolation Resistance:	I/P-O/P: 100MΩ/500VDC/25°C/70%RH
EMC Emission:	FCC 47 CFR Part 15, Subpart B

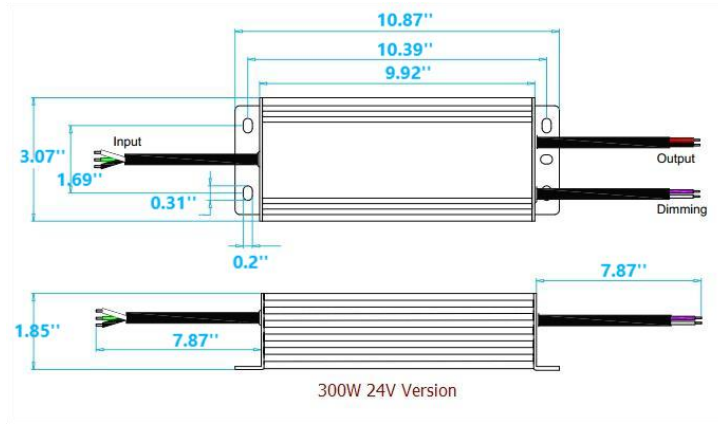
OTHERS

Net. Weight:	1.7 kg
Size:	10.87*3.07*1.89 inch / 276*78*48mm (L*W*H)

Notes:

- All parameters if NOT specially mentioned are measured at 120VAC input, under rated load and 25°C (77°F) of ambient temperature.

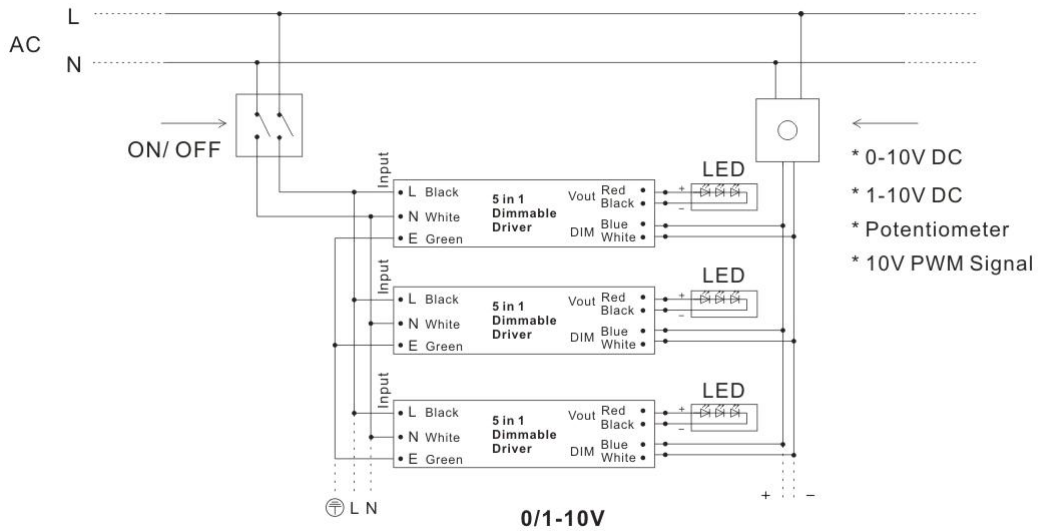
Dimensions

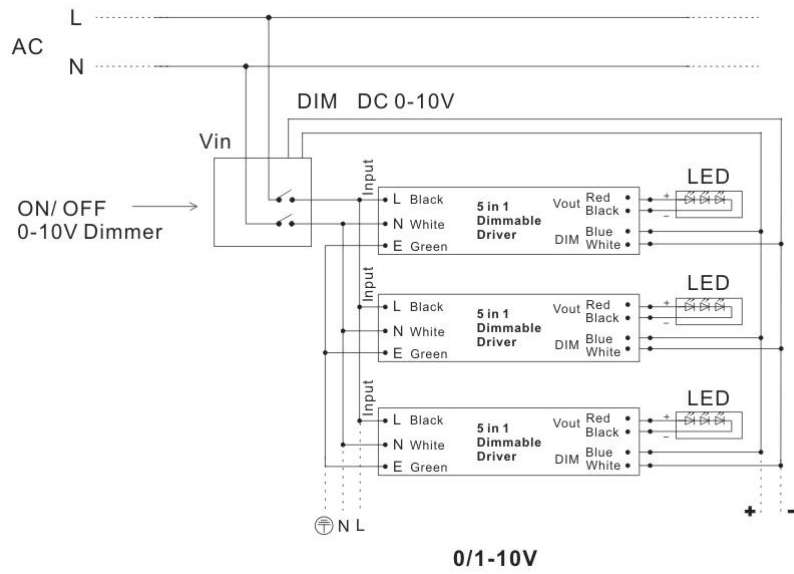


1. The input terminal has a 3-pin wire, of which the green wire is to be connected to the ground, black and white connected to AC L and N.
2. The output terminal has a 2-pin wire, red wire is V+, black wire is V-.
3. The dimming terminal has a 2-pin wire, purple wire is DIM+, grey wire is DIM-.

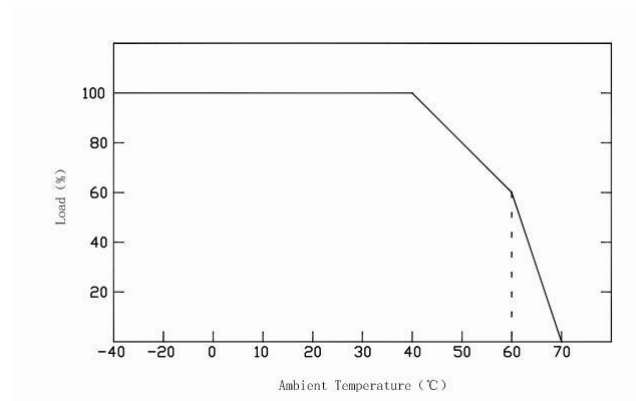
Wiring Diagram

0-10V/1-10V/Potentiometer/10V PWM dimming:





Derating Curve



*To ensure the driver's long life, please refer to the Derating Curve and derate according to the ambient temperature.