

LINIO NEON GRAZE

Installation Instructions

Beamever

ATTENTION: This product should be installed by a professional licensed electrician.

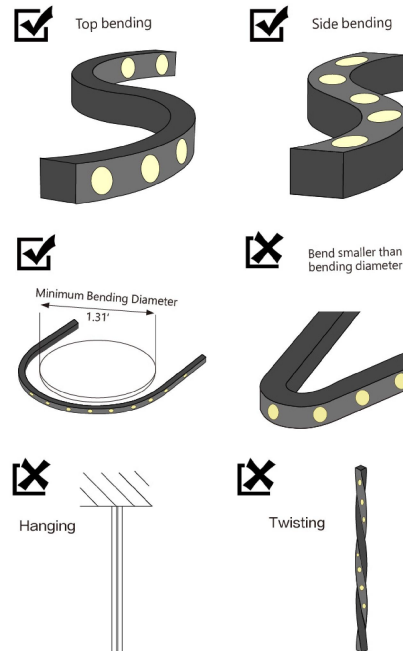
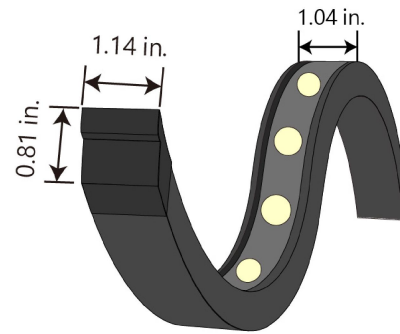


Before you start

- 1 Verify all product is accounted for and in good condition. If not, skip installation instructions and see contact information at the bottom.
- 2 Please check local electrical codes.
- 3 Turn power off before installing, and make sure to use properly rated wire.
- 4 Modifying or not following instructions will void the warranty for this product.
- 5 Please read the instructions entirely before starting installation.
- 6 For specifications that call for more intricate installations, please don't hesitate to contact us at info@beamever.com.

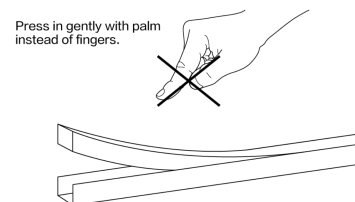
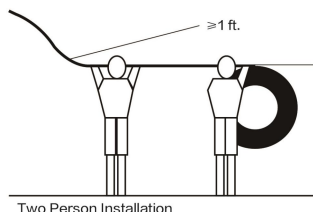
Warning

- 1 Please operate this product by instructions, and confirm the work voltage, it must be matched with product requirements.
- 2 This product is not field cuttable. Any wrong operation will damage this product.
- 3 Use qualified DC power supply.
- 4 The most suitable operation temperature shall be $-40\sim 60^{\circ}\text{C}$ ($-40\sim 140^{\circ}\text{F}$). DO NOT operate light when ambient temperature exceeds this range.
- 5 DO NOT energize the light over 30 minutes in coil packaging.
- 6 Please make sure the product does not stick with any paper related material directly.
- 7 The maximum bend diameter is 1.31' / 400mm. DO NOT overbend it which may cause product damage. Do not twist, drop, hang the product in any way other than intended. This product can bend vertically&horizontally in relation to its light output.



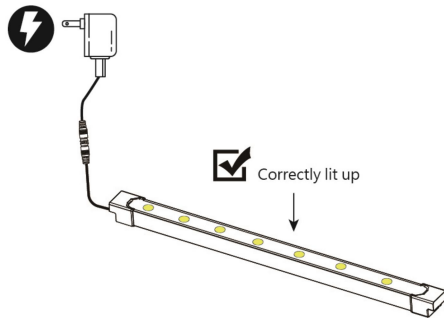
Installing Neon

- Note**
- It is recommended that installation is performed by at least 2 persons to ensure proper handling of the product and prevent damage to the internal and external construction.
 - Please make sure to install the product into profile carefully and correctly. Taking out the product and re-assembling will most likely damage the product.
 - Only use hands to install fixture into mounting clips or channels.
 - Install the neon from one direction to avoid choking in the middle.
 - Press the neon into the profile gently with palm instead of fingers.

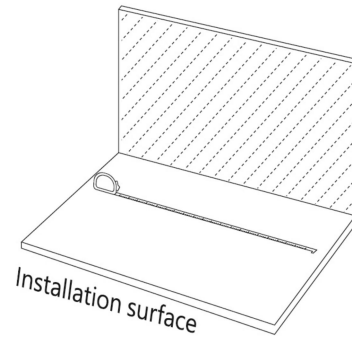


01 Installing with Mounting Clips

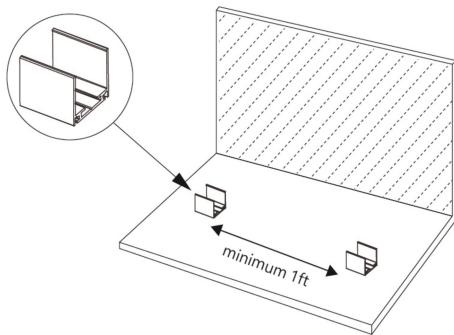
Step 1 Perform a quick light-up test. Proceed to the next step ONLY after the neon is lit up.



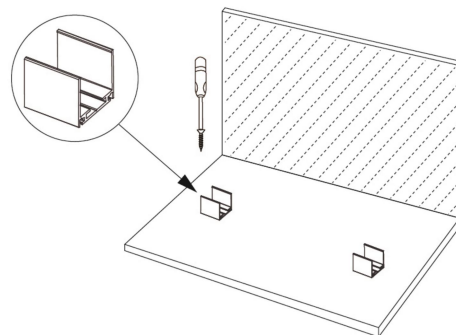
Step 2 Determine the desired location and lengths of neon to be installed. Leave enough distance for power cable to reach the power supplies.



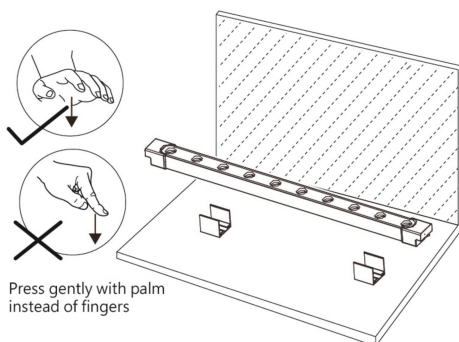
Step 3 Determine the locations and quantity of the mounting clips based on the information from Step 1. It is recommended to use ONE mounting clip for 1 ft of the neon.



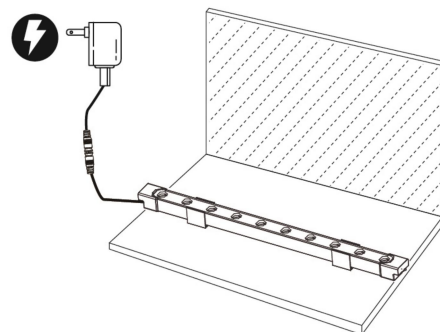
Step 4 Install the mounting clips into position with screws. Make sure the head is flush or lower the base of the channels. DO NOT screw at an angle.



Step 5 Gently push the neon into the mounting clips from one direction with palm instead of finger.

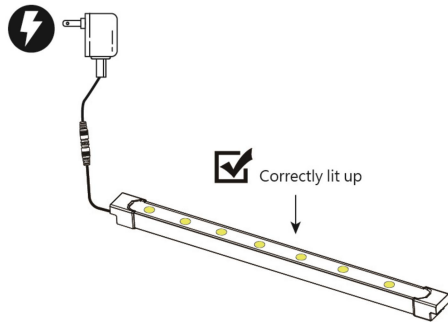


Step 6 Plug in power after installation, make sure the neon flex is correctly lit up.

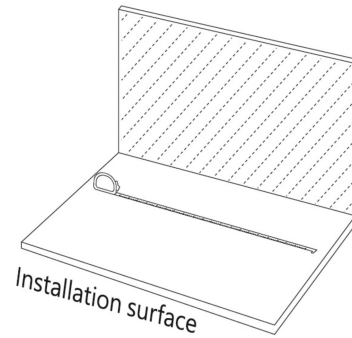


02 Installing with Straight Channel

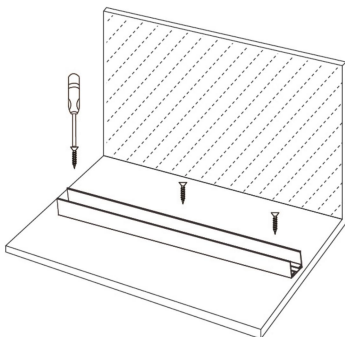
Step 1 Perform a quick light-up test. Proceed to the next step ONLY after the neon is lit up.



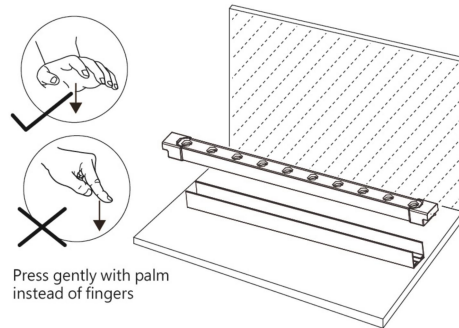
Step 2 Determine the desired location and lengths of neon to be installed. Leave enough distance for power cable to reach the power supplies.



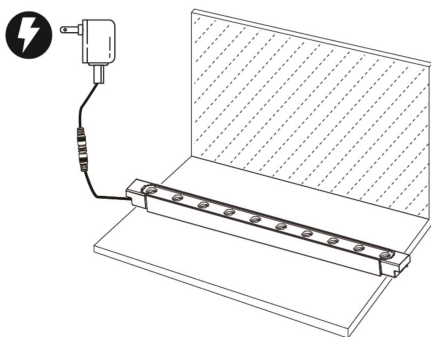
Step 3 Install the channel into position with screws. Make sure the screw head is flush or lower the base of the channels. DO NOT screw at an angle.



Step 4 Gently push the neon into the channel at the beginning of the run with palm instead of fingers and moving down the line towards the end.

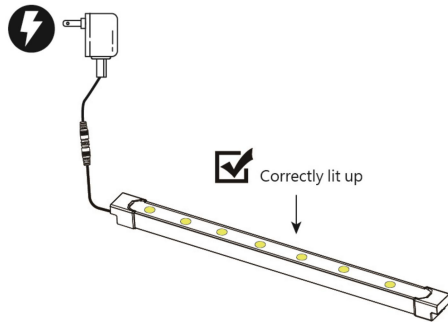


Step 5 Plug in power after installation, make sure the neon flex is correctly lit up.

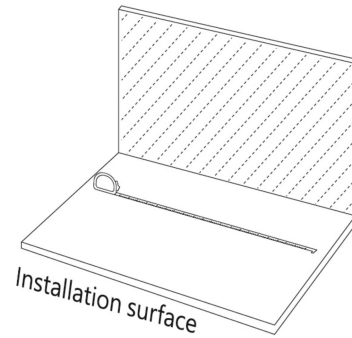


03 Installing with Adjustable Angle Clip and Mounting Clip

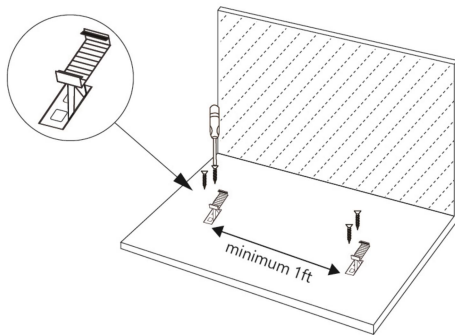
Step 1 Perform a quick light-up test. Proceed to the next step ONLY after the neon is lit up.



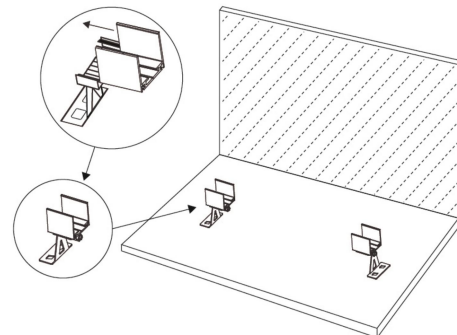
Step 2 Determine the desired location and lengths of neon to be installed. Leave enough distance for power cable to reach the power supplies.



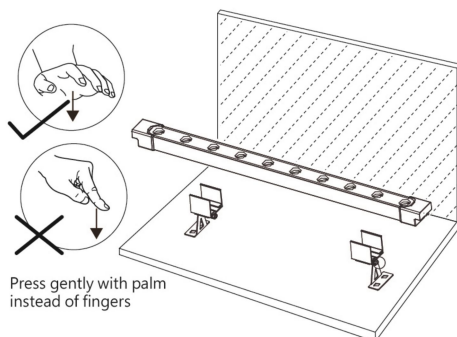
Step 3 Install the adjustable clips into position with screws. It is recommended to use ONE mounting clip for 1 ft of the neon.



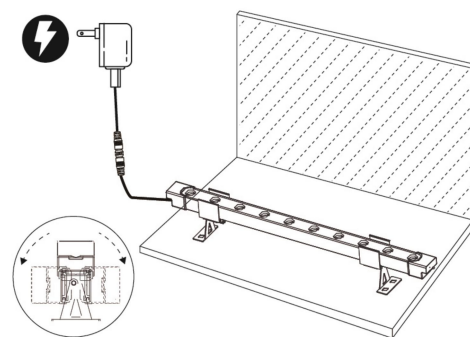
Step 4 Install the adjustable clips with mounting clips by pushing them into the groove of the adjustable clips.



Step 5 Gently push the neon into the mounting clips from one direction with palm instead of finger.

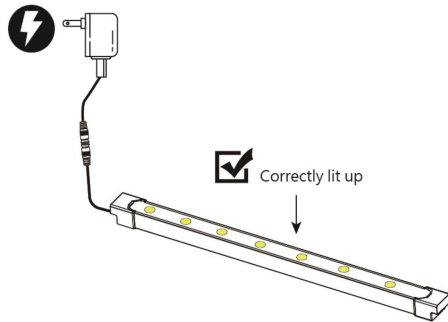


Step 6 Plug in power after installation, make sure the neon flex is correctly lit up. Adjust to the adjustable clip to a desired angle.

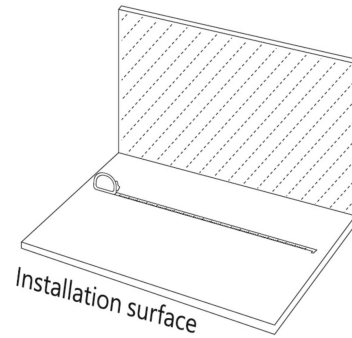


04 Installing with Adjustable Angle Clip and Mounting Channel

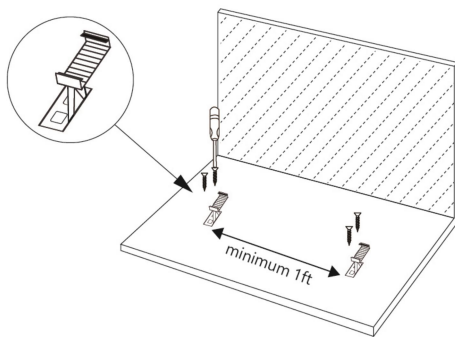
Step 1 Perform a quick light-up test. Proceed to the next step ONLY after the neon is lit up.



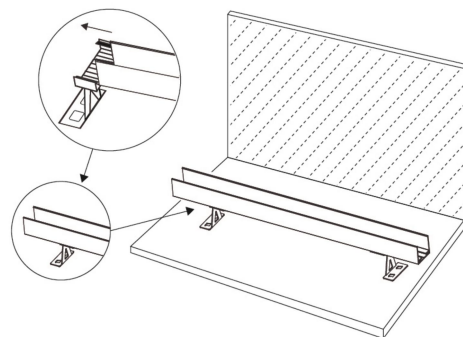
Step 2 Determine the desired location and lengths of neon to be installed. Leave enough distance for power cable to reach the power supplies.



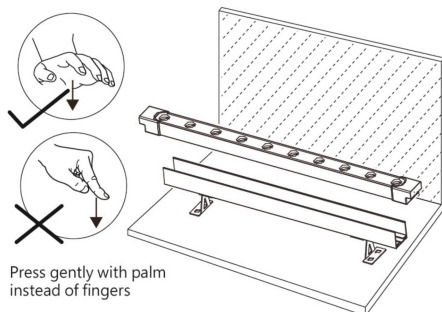
Step 3 Install the adjustable clips into position with screws. It is recommended to use ONE mounting clip for 1 ft of the neon.



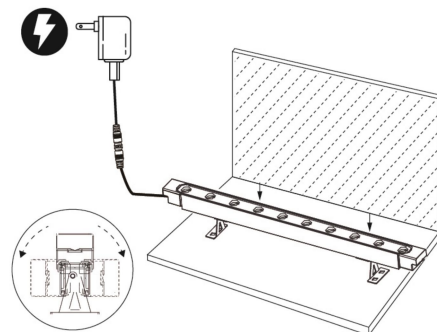
Step 4 Install the adjustable clips with mounting channel by pushing them into the groove of the adjustable clips.



Step 5 Gently push the neon into the mounting channel from one direction with palm instead of finger.



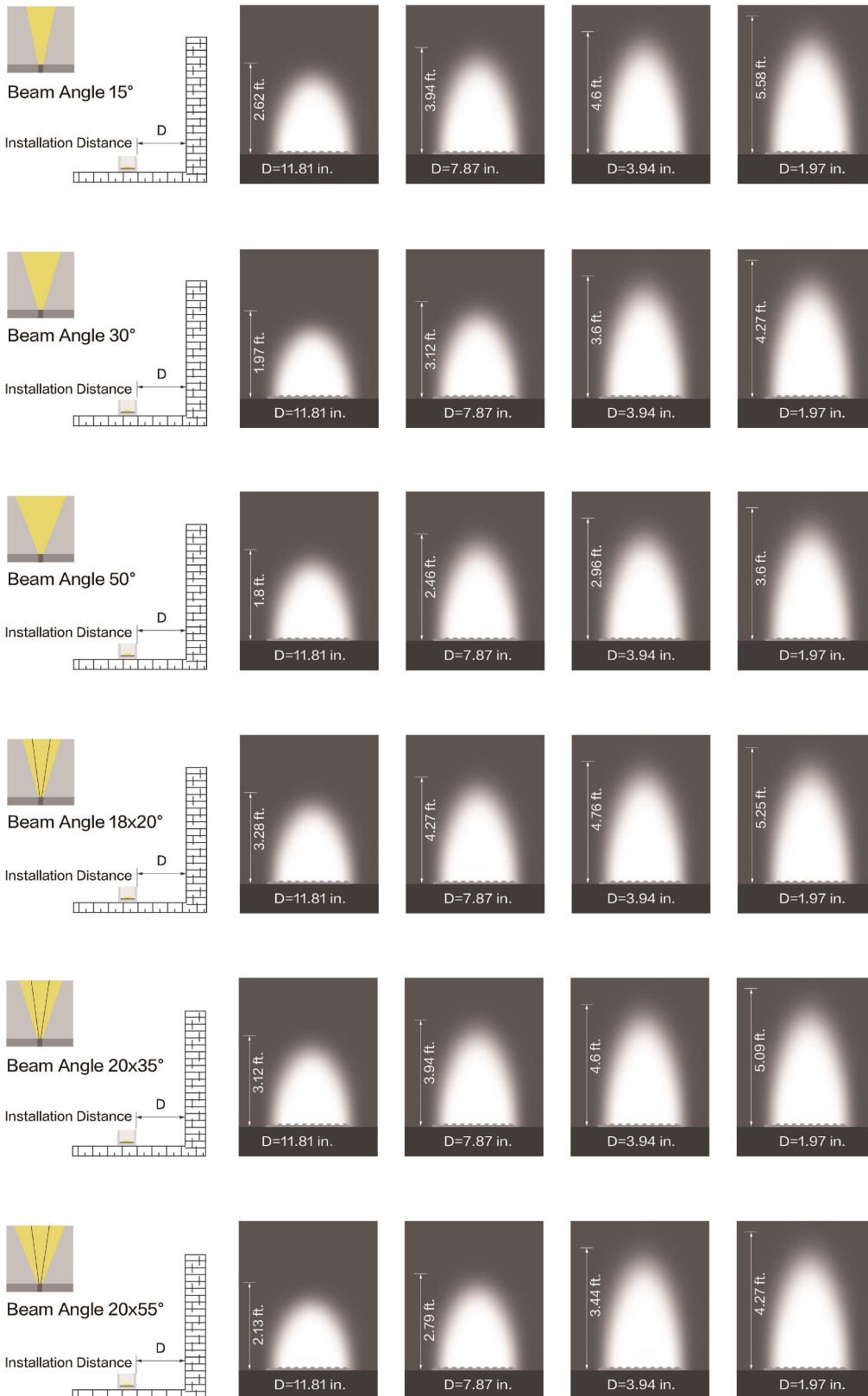
Step 6 Plug in power after installation, make sure the neon flex is correctly lit up. Adjust to the adjustable clip to a desired angle.



04 Care and maintenance

- Use soft, dry or damp cloth to clean the neon.
- DO NOT apply harsh chemicals or abrasives onto the neon.

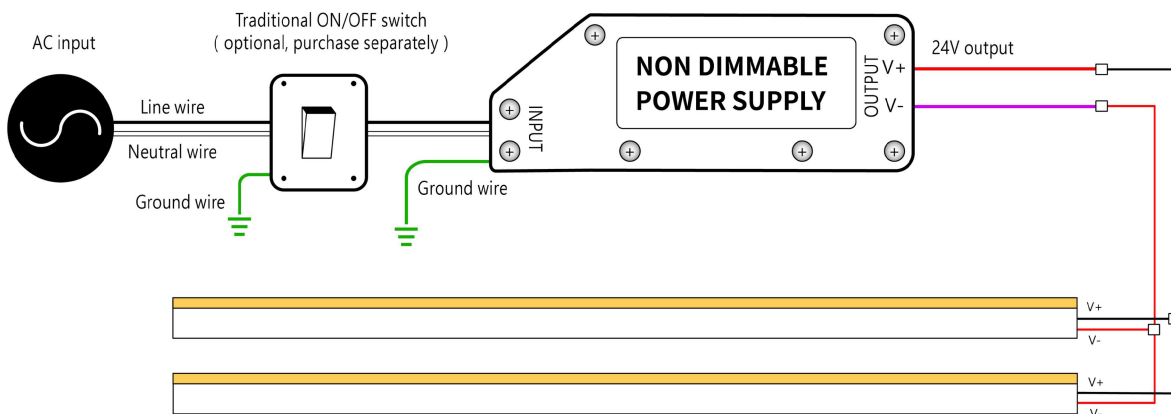
Installation Distance/Wall Washing Height



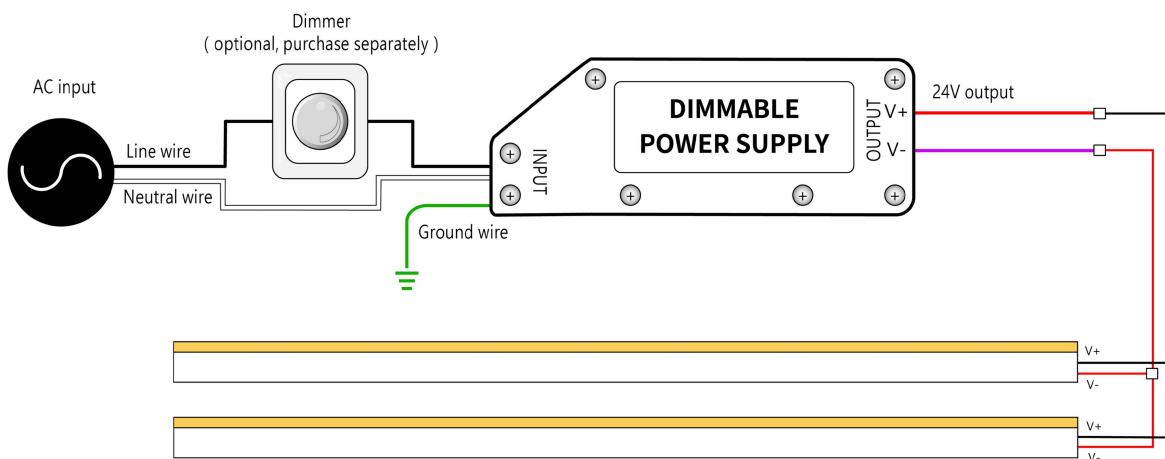
Wiring Diagram

- Note**
- Disconnect power at the source prior to attempting installation.
 - Use this product with appropriate 24V DC power supply only. Any other power supply may damage the product.
 - Always observe proper polarity.
 - Ensure to add 20% buffer when sizing power supply.
 - Ensure that the power cable carried current is no greater than 80% of its capacity.
 - To minimize the voltage drop and keep light consistency, position power supply nearest to the power feed end of the fixture and keep the power line as short as possible.
 - Prior to installing 24V DC power supply, refer to the power supply installation instruction for more information.

Non Dimmable



Dimmable



Trouble Shooting

01 The whole fixture doesn't work.

- Check whether the power supply is plugged in, switched on and receiving power.
- Check whether the fixture, decoders, controllers are connected to the power supply correctly.
- Check whether the polarity of all wire connections are connectd correctly.
- Make sure power supply output voltage is 24V DC.
- Check whether the connector and end caps are inserted behind the PCB properly.

02 Light emitting appear dim or dull at one end.

- Check whether the output voltage of the power supply is lower than that of the fixture.
- Adjust the dimming level to the maximum.
- Try to power the fixture from both ends or shorten lighting length to prevent voltage drop.
- Check whether the fixture is too far away from the power supply leading to voltage drop.

03 Light emitting appear excessive brightness.

- Check whether the output voltage of power supply is higher than that of the fixture.
- Check whether the power grid is stable.

04 The first segment of the fixture doesn't work.

- Check whether the fixture is NOT cut on indicated cutting mark in a straight line.
- Cut out and remove the first segment.
- Check whether the first LED is damage when inserting the cable connector/end cap. Cut out and remove the first segment and properly assemble again.
- Check whether there is water ingress due to poor connector/end cap assembling, leading to short circuit of first segment. Replace the length with a new one.
- Check whether there is external impact damage inside LEDs. Replace the length with a new one.

05 Fixture is flashing on and off.

- Check whether the sizing of the power supply supports the length of the fixture.
- Select the appropriate strength or install additional power supply.
- Check whether power supply output voltage is stable.
- Check whether the connector/end cap is properly installed with good contact with the copper PCB.
- Check whether proper controller is connected for light working.