

SOLIDRIVE MAX 288

3-Channel Constant Voltage

5-Way Universal Dimming

LED Driver

Specification Sheet

Key Features

- ▶ Three Channel, Class 2 Rated
- ▶ 5-Way Universal Dimming
- ▶ Smooth flicker-free dimming, down to 1%
- ▶ Universal Input Voltage – 120 to 277VAC
- ▶ UL Listed Enclosure – With Built-In Junction Boxes
- ▶ Class 2, Class P
- ▶ Short Circuit & Over-Temperature Protection
- ▶ Overload Protection
- ▶ Rated for dry or damp installations
- ▶ 5-year warranty



Width	9.5" (241mm)
Overall Height	6.35" (161mm)
Height	6.0" (153mm)
Depth	1.6" (41mm)

Product Name: SoliDrive Max 288

Description: Constant Voltage, 3 Channel, Dimmable LED Driver

Installation: Integrated junction box with multiple 7/8" knock-outs

Driver Type: Class 2 Single Channel

Dimming: 5-Way Dimming: Forward Phase (MLV, CL), Reverse Phase (ELV), 0-10V, Potentiometer, and 0-10V PWM

Input Voltage: Universal 120VAC to 277VAC, 50/60Hz

Output Voltage: 24VDC

Wattage: 96W x 3 - 288 Total Watts

IP Rating: IP20

Listing: UL Listed

Certifications: UL8750

Warranty: 5-Year



ORDERING GUIDE			
Type	Max Power	Listing	Output
VPDT	288 – 288W	L – UL Listed Dry/Damp	24DC – 24VDC

SPECIFICATIONS

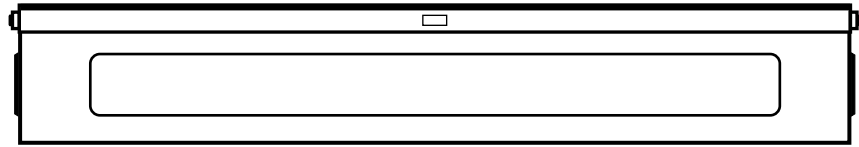
Input	
Input Voltage Range	100 to 277VAC \pm 10%
Input Frequency	50 / 60Hz
Input Current	3.0A @ 120V
Inrush Current	90A @ 277V
Efficiency	> 86% Max
Power Factor	277VAC, > 0.90 120VAC, > 0.90
THD	< 20%
Output	
Output Voltage	24VDC
Max Load	288W (3 x 96W)
Output Current @ Maximum Load	4.1A per Channel
Output Ripple	< 9%
Line Regulation	\pm 5%
Load Regulation	\pm 5%
Turn On Delay Time	< 0.5 sec
Environmental	
Ambient Operating Temperature	-40°C to +60°C (-40°F to 140°F)
Maximum Case Temp. (Tcase)	90°C (194°F)
Storage Temperature	-40°C to +85°C (-40°F to 185°F)
Expected Lifetime	\geq 80,000 hrs @ Tc \leq 60°C
Audible Noise	< 24 dB Class A
Dimming	
Dimming Style	Phase-Cut or 0-10V
Minimum Dimming Level	1%
Dimming Curve	Linear
Protection	
Over Current Protection	Yes
Over Voltage Protection	Yes
Over Temperature Protection	Yes / Auto-Recovery
Overload Protection	Yes / Current Limit
Short Circuit Protection	Yes / Auto-Recovery

SOLIDRIVE MAX 288

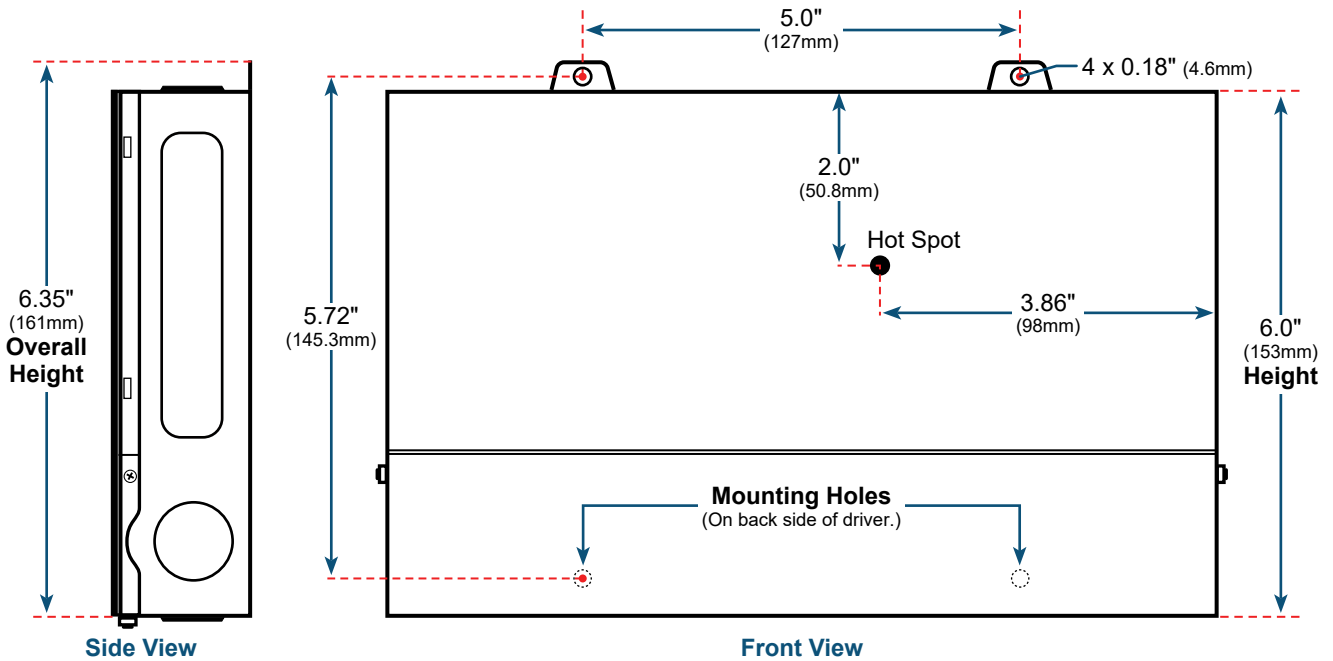
3-Channel Constant Voltage
5-Way Universal Dimming
LED Driver

Specification Sheet

MECHANICAL DIAGRAMS

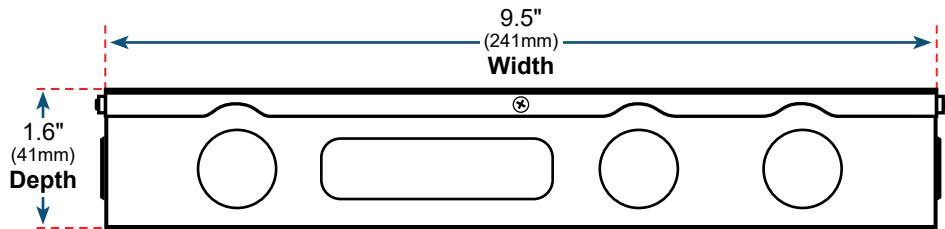


Top View



Side View

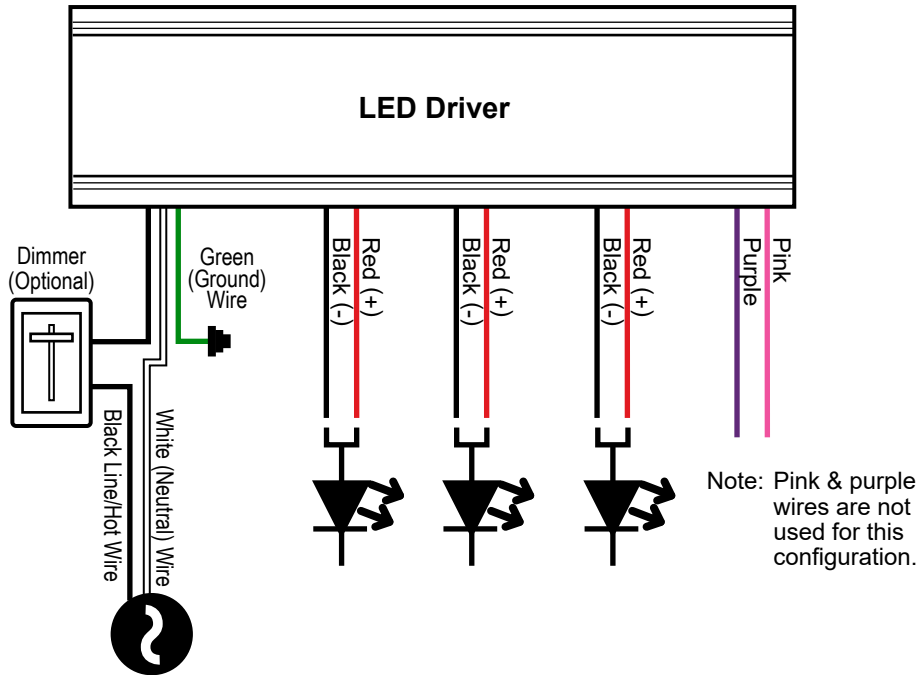
Front View



Bottom View

WIRING DIAGRAMS

▼ **Phase-Cut Dimmable Configuration** ▼



▼ **0-10V Dimmable Configuration** ▼

