

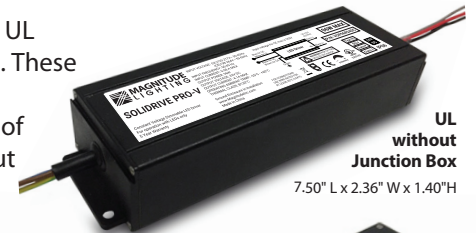
SOLIDRIVE PRO-V

Constant Voltage Phase-Cut Dimmable LED Drivers

The SOLIDRIVE PRO-V Constant Voltage Class 2 LED Drivers from Magnitude Lighting are UL Listed. Drivers with enclosures have a built-in junction box on both the input and output. These drivers are IP66 and UL2043 plenum rated and are suitable for both indoor and outdoor installations. With universal input voltage ranging from 120 to 277VAC, the PRO-V Series of drivers are designed for residential, commercial and industrial applications. Our phase-cut dimming delivers smooth flicker-free dimming down to 1% with most LED's and a wide variety of compatible dimmers. As always, a 5-year warranty is a standard on all of Magnitude's products.

Key Features

- Forward & Reverse Phase-Cut Dimming
- Flicker Free Dimming, Down To 1%
- Universal Input Voltage – 120 to 277VAC
- UL Listed Enclosure – With Built-In Junction Boxes
- IP66 – For Both Indoor & Outdoor Use
- Class 2, Class P
- Hiccup Mode Protection For Short Circuit & Over-Temperature
- Overload Protection



Product Name: SOLIDRIVE PRO-V

Description: Constant Voltage Phase Cut Dimmable LED Driver

Installation: Can have integrated junction box with multiple 7/8" knock-outs or no junction box with wire leads

Driver Type: Class 2 Single Channel

Dimming: Phase cut dimming down to 1% with both Leading Edge (MLV) and Trailing Edge (ELV) dimmers

Input Voltage: Universal 120VAC to 277VAC, 50/60Hz

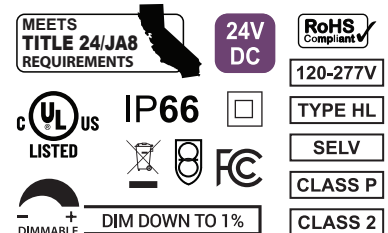
Output Voltage: 24VDC

IP Rating: IP66

Listing: UL Listed

Certifications: UL8750, UL2043 Plenum Rated

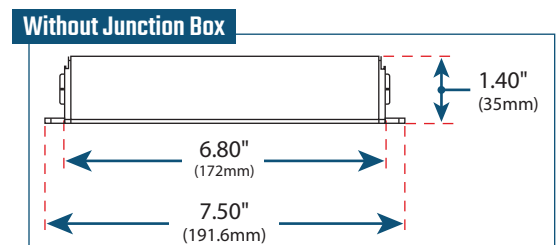
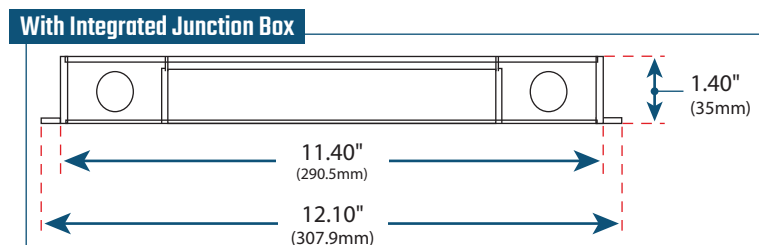
Warranty: 5-Year Warranty



	With Junction Box	Without Junction Box
Length	12.10" (307.9mm)	7.50" (191.6mm)
Width	2.36" (59.9mm)	2.36" (59.9mm)
Height	1.40" (35mm)	1.40" (35mm)

Ordering Guide Example: VOP96L24DC

VOP		DC	
Type	Max Power	Enclosure	Output
VOP	96 - 96W 60 - 60W 30 - 30W	L - With Junction Box R - Without Junction Box	24 - 24VDC



SOLIDRIVE PRO-V

Constant Voltage Phase-Cut Dimmable LED Drivers

Specifications

Input	96W	60W	30W
Input Voltage Range:	120 - 277VAC ± 10%	120 - 277VAC ± 10%	120 - 277VAC ± 10%
Input Frequency:	50 / 60Hz	50 / 60Hz	50 / 60Hz
Input Current:	0.98A Max	0.98A Max	0.98A Max
Inrush Current:	<40A max @120VAC	<40A max @120VAC	<40A max @120VAC
Efficiency:	> 86% Max	> 86% Max	> 86% Max
Power Factor:	277VAC, >0.90 120VAC, >0.95	277VAC, >0.90 120VAC, >0.95	277VAC, >0.90 120VAC, >0.95
THD:	< 20%	< 20%	< 20%
Output			
Output Voltage:	24VDC	24VDC	24VDC
Max Load:	96W	60W	30W
Output Current @ Max Load:	4.1A	2.6A	1.3A
Output Ripple:	<10%	<10%	<10%
Line Regulation:	± 2.5%	± 2.5%	± 2.5%
Load Regulation:	± 5%	± 5%	± 5%
Turn On Delay Time:	< 0.5 sec	< 0.5 sec	< 0.5 sec
Environmental			
Env. Protection Rating:	IP66	IP66	IP66
Ambient Operating Temp.:	-25°C - +40°C (-13°F - 104°F)	-25°C - +40°C (-13°F - 104°F)	-25°C - +40°C (-13°F - 104°F)
Max Case Temp. (Tcase):	80°C (176°F)	80°C (176°F)	80°C (176°F)
Storage Temperature:	-40°C - +85°C (-40°F - 185°F)	-40°C - +85°C (-40°F - 185°F)	-40°C - +85°C (-40°F - 185°F)
Expected Lifetime:	≥50,000hrs @ Tc ≤75	≥50,000hrs @ Tc ≤75	≥50,000hrs @ Tc ≤75
Audible Noise:	<24dB Class A	<24dB Class A	<24dB Class A
Dimming (Dimming Models Only)			
Dimming Style:	Phase Cut Dimming	Phase Cut Dimming	Phase Cut Dimming
Min. Dimming Level:	1%	1%	1%
Dimming Curve:	Linear	Linear	Linear
Protection			
Over Current Protection:	Yes	Yes	Yes
Short Circuit Protection:	Yes	Yes	Yes

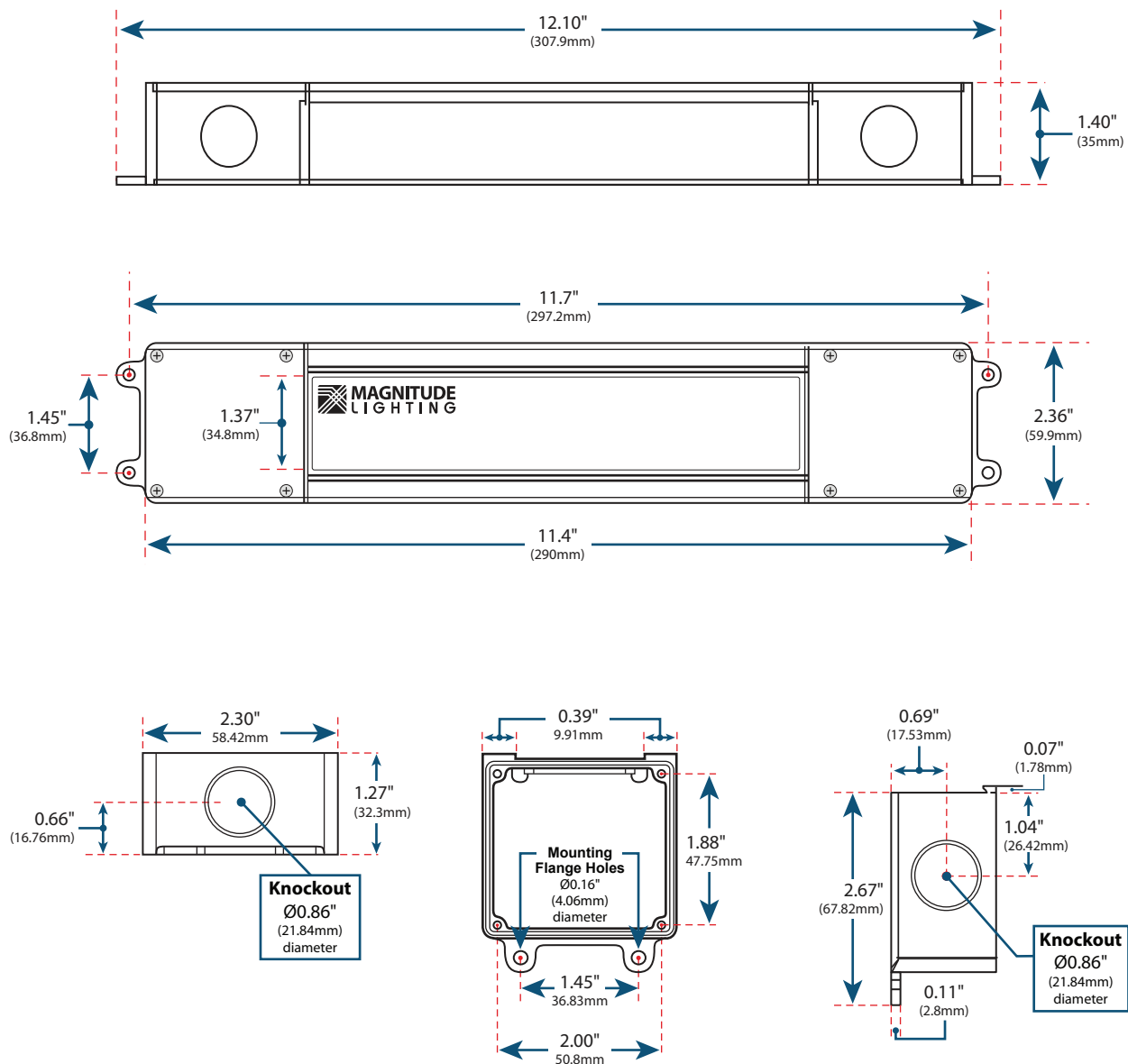
SOLIDRIVE PRO-V

Constant Voltage Phase-Cut Dimmable LED Drivers

Mechanical Diagrams

With Integrated Junction Box

(Drawings not to scale)



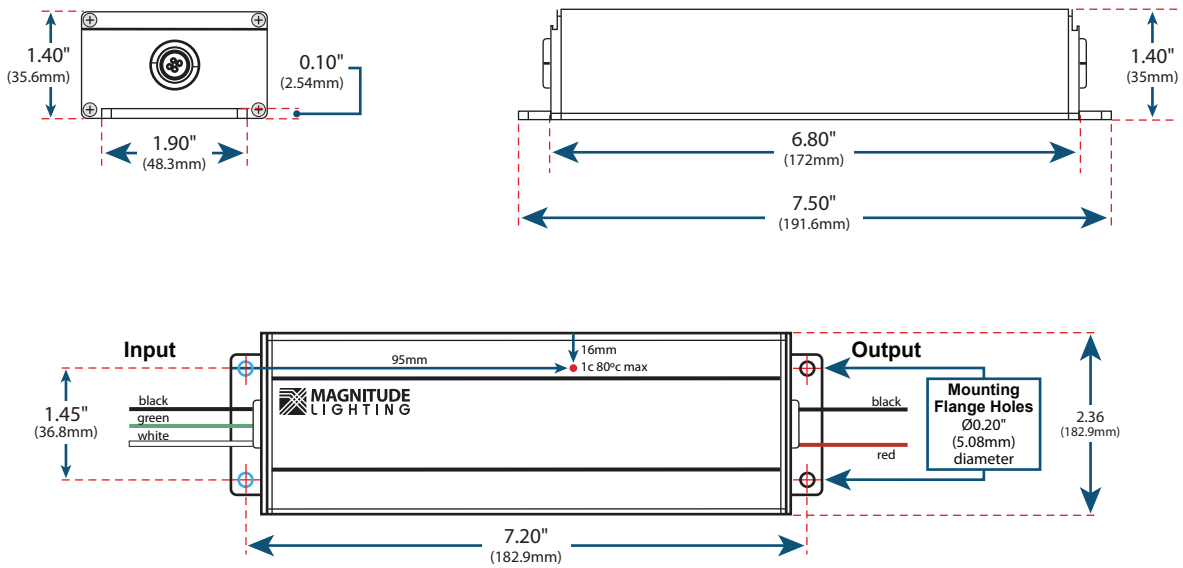
SOLIDRIVE PRO-V

Constant Voltage Phase-Cut Dimmable LED Drivers

Mechanical Diagrams

Without Integrated Junction Box

(Drawings not to scale)



Wiring Diagram

